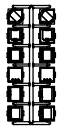
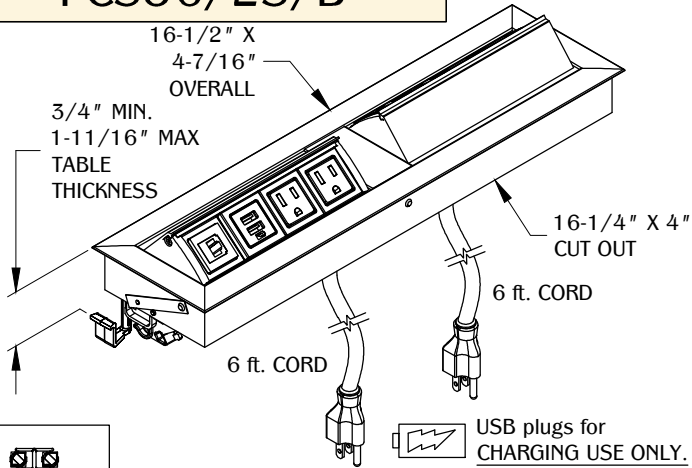


PART #

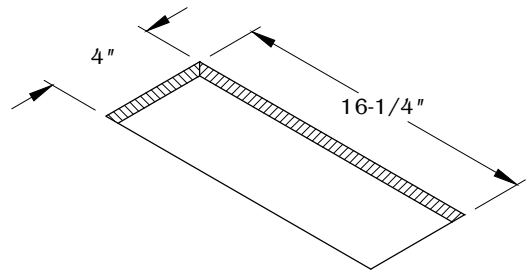
**PCS36/2S/B**

310.318.2491 • 800.523.1269 • www.mockett.com



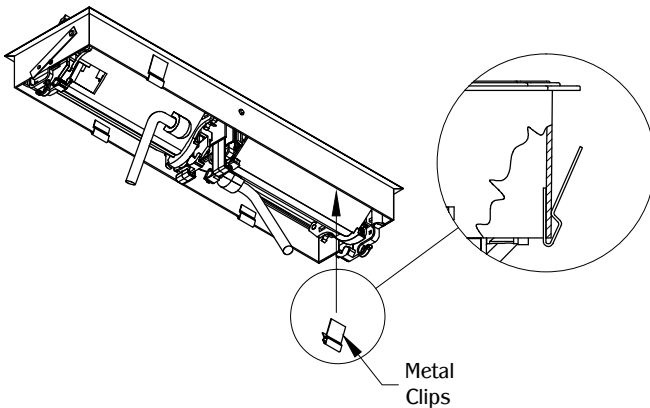
**NOTE:**  
Secure data jacks in place with corresponding bezel adapter from data tree provided. (See PCS Data Tree information sheet for more information)

1



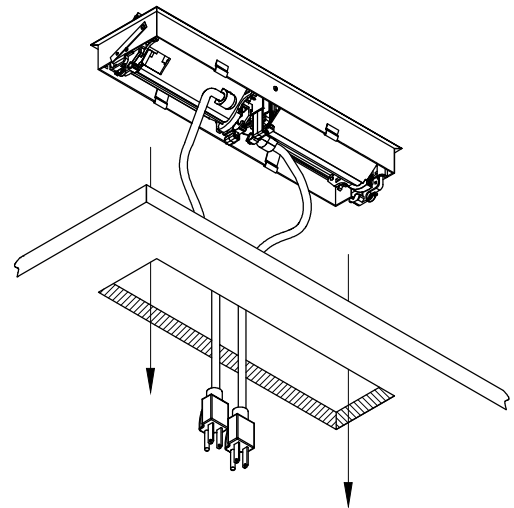
Make a cutout of 4" x 16-1/4" at the desired location on the surface.

2



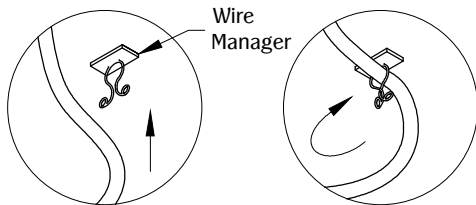
Apply metal clips on the front and back of the liner as shown.

3



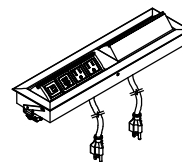
With metal clips in place, drop unit into cutout.

4



Adhere wire management tabs to underside of surface. (Optional)

TABLE OF CONTENTS:



.....1 X PCS36/2S/B  
(4 POWER, 2 DUAL  
USB & 2 DATA)



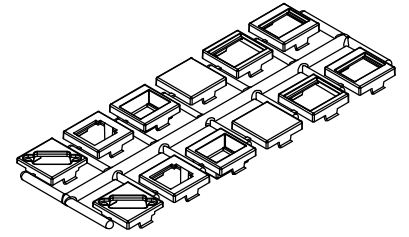
.....2 X WIRE MANAGER



.....4 X METAL CLIPS

## PCS Data Tree

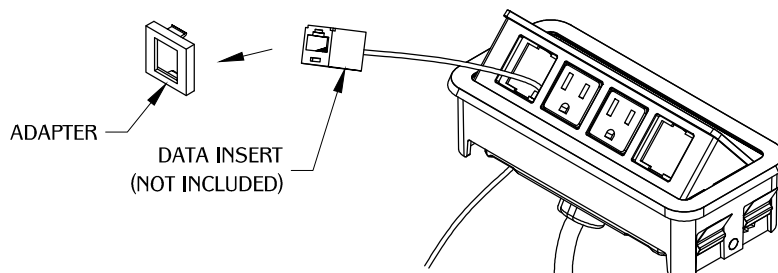
- 1.) Select the appropriate adapter from the chart below. (example: Panduit Mini-Com Series jack would use "FFF" adapter marked on back of adapter.)



\*Jacks, not included, UL Listed (DUXR) or Recognized (DUXR2) jacks required.

Adapter	Manufacturer	Website
BBB	L-Com Keystone Modular	www.L-Com.com
BBB	NETCONNECT, and 110 Connect Series Modular Jack	www.Anixter.com
BBB	Siemon ZMAX Style	www.Siemon.com
BBB	Allen Tel Versa Tap Series	www.Graybar.com
BBB	Leviton Quick Port ® Series	www.Leviton.com
BBB	Belden REVConnect	www.Belden.com
BBB	HDMI Adapter Cable	www.Mockett.com
CCC	Hubbell Nextspeed™ Keystone Series	www.Hubbell-premise.com
CCC	ADC Truenet Series	www.Anixter.com
DDD	Blank (no coupler/jack)	-
EEE	Ortronics TracJack Series	www.Ortronics.com
FFF	Panduit Mini-Com Series	www.Panduit.com
HHH	Video Monitor Jack/DB-15, panel mount solder style	www.Mockett.com

- 2.) Snap Jack into adapter following the instructions provided with the jack.
- 3.) Once assembled, snap adapter into the notched, square holes in the orientation shown.



**NOTE:** Please verify fit of jack in adapter before ordering large quantities as manufacturer designs may change without notice.