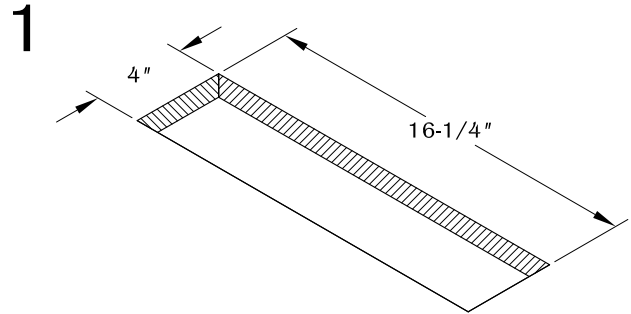
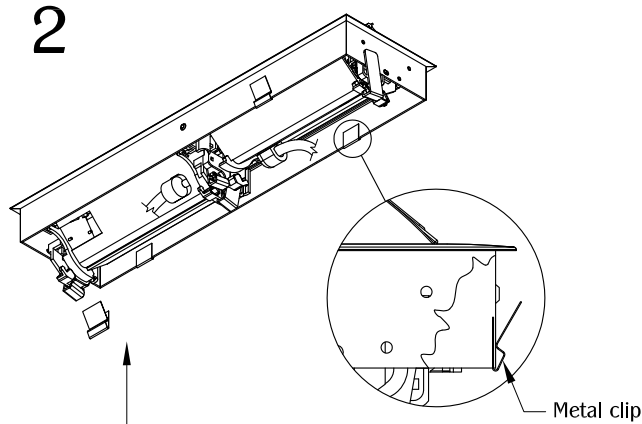


NOTE:

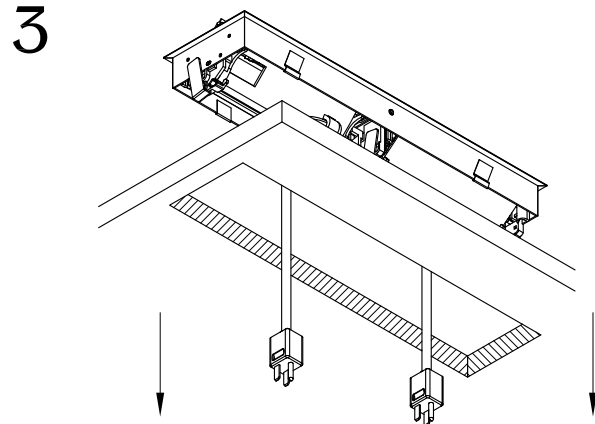
- Do **NOT** remove tape!
 - Cords have a 6 ft. length
 - For use on a normally dry work surface.
 - Table thickness is 3/4" MIN. to 1-11/16" MAX.
 - Dimensions for plugs are 1-11/32" X 1-1/32" X 7/8".
 - Please use applicable adapter from data tree.
- (See PCS data tree page 2 for more information.)



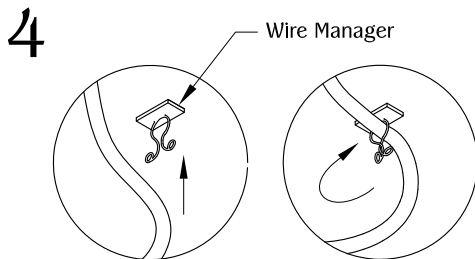
Determine the position and location of the unit on the work surface. Cut the hole at 16-1/4" X 4". Place and allow enough clearance for unit operation. **DO NOT** place unit where the cables are strained or trapped.



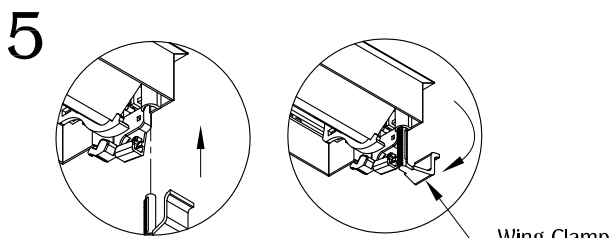
Place the metal clips near the front and back of each side of the unit. (NOTE: Metal clips are for use in hard surface material only as an optional mounting means.)



Guide the power cords through the cut out. Install the unit into the cut out and make sure it is fully leveled onto the surface.

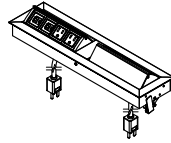





Optional wire manager.



Secure unit by turning bottom wing clamp.

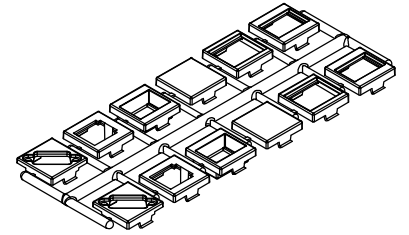
TABLE OF CONTENTS:

 1X PCS36/2S/A
 2X Wire manager
 4X Metal clip
 4X Wing clamp

PCS Data Tree

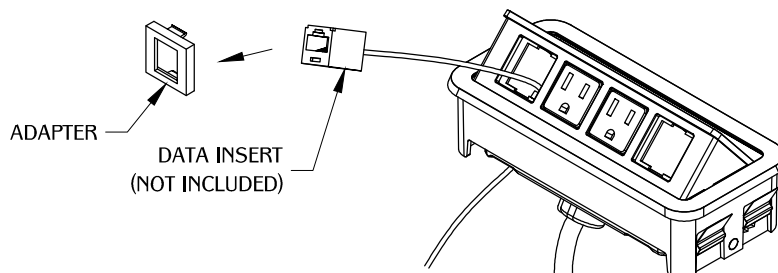
- 1.) Select the appropriate adapter from the chart below. (example: Panduit Mini-Com Series jack would use "FFF" adapter marked on back of adapter.)

*Jacks, not included, UL Listed (DUXR) or Recognized (DUXR2) jacks required.



Adapter	Manufacturer	Website
BBB	L-Com Keystone Modular	www.L-Com.com
BBB	NETCONNECT, and 110 Connect Series Modular Jack	www.Anixter.com
BBB	Siemon ZMAX Style	www.Siemon.com
BBB	Allen Tel Versa Tap Series	www.Graybar.com
BBB	Leviton Quick Port ® Series	www.Leviton.com
BBB	Belden REVConnect	www.Belden.com
BBB	HDMI Adapter Cable	www.Mockett.com
CCC	Hubbell Nextspeed™ Keystone Series	www.Hubbell-premise.com
CCC	ADC Truenet Series	www.Anixter.com
DDD	Blank (no coupler/jack)	-
EEE	Ortronics TracJack Series	www.Ortronics.com
FFF	Panduit Mini-Com Series	www.Panduit.com
HHH	Video Monitor Jack/DB-15, panel mount solder style	www.Mockett.com

- 2.) Snap Jack into adapter following the instructions provided with the jack.
- 3.) Once assembled, snap adapter into the notched, square holes in the orientation shown.



NOTE: Please verify fit of jack in adapter before ordering large quantities as manufacturer designs may change without notice.