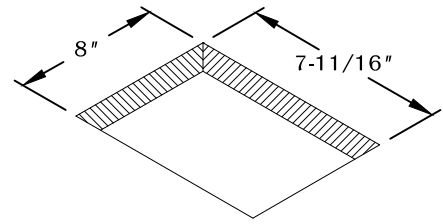
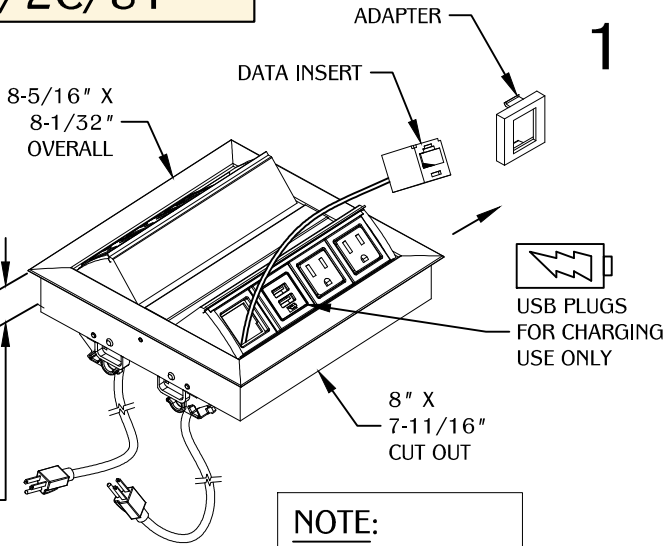
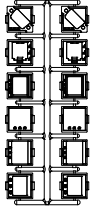


PART #
PCS36/2C/U1

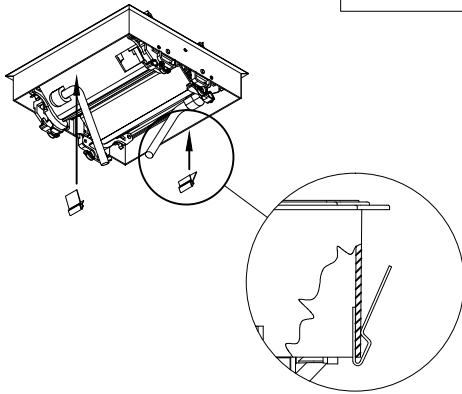
310.318.2491 • 800.523.1269 • www.mockett.com

NOTE:
PLEASE USE APPLICABLE
ADAPTER FROM DATA
TREE. (SEE PCS DATA
TREE PAGE FOR MORE
INFORMATION.)



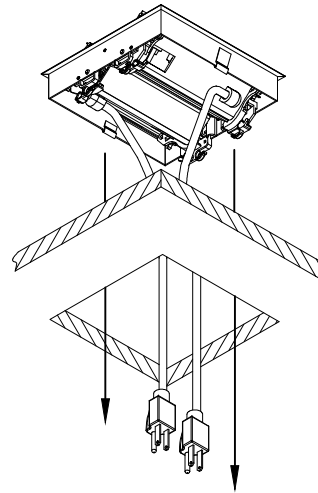
Make a cut out of 8" X 7-11/16" at the desired surface.

2



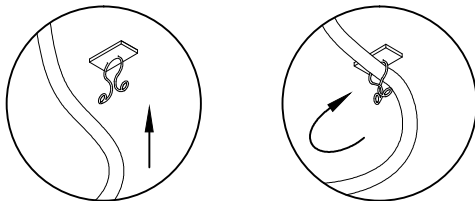
Place metal clips near the front and back of the unit. (**NOTE:** Metal clips are for use in hard surface material only as an optional mounting means.)

3



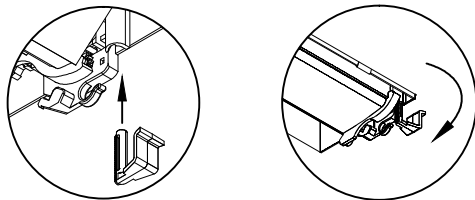
Drop in unit into cut out.

4



Optional wire manager.

5

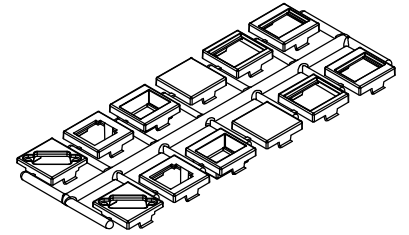


Secure unit by turning bottom wing clamp.

NOTE: Conduit should be supported according to local code.

TABLE OF CONTENTS:

1 X PCS36/2C/U1
2 X WIRE MANAGER
2 X METAL CLIPS
2 X WING CLAMP

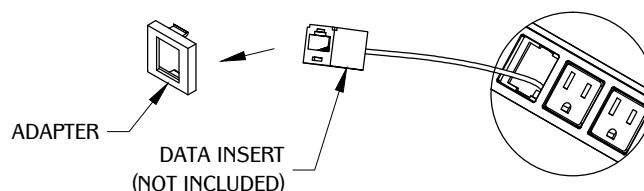


- 1.) Select the appropriate adapter from the chart below. (example: Panduit Mini-Com Series jack would use "FFF" adapter marked on back of adapter.)

Adapter	Manufacturer	Website
BBB	L-Com Keystone Modular	www.L-Com.com
BBB	Tyco SL and 110 Connect Series Modular Jacks	www.Ampconnect.com
BBB	Siemon Keystone Style	www.Siemon.com
BBB	Allen Tel Versa Tap Series	www.Allentel.com
BBB	Leviton Quick Port ® Series	www.Leviton.com
BBB	Nordx Keystone Style	www.Nordx.com
CCC	Tyco SL Coupler Series	www.Ampconnect.com
CCC	Krone 6000 Series/ADC	www.Adc.com
CCC	Hubble Xcelerator™ Keystone Series	www.Hubbell.com
DDD	Blank	-
EEE	Ortronics TracJack Series	www.Ortronics.com
FFF	Panduit Mini-Com Series	www.Panduit.com
HHH	Video Monitor Jack/DB-15, panel mount solder style	www.Byrne-Electrical.com

- 2.) Snap Jack into adapter following the instructions provided with the jack.
 3.) Once assembled, snap adapter into the notched, square holes in the orientation shown.

* Jacks, not included, UL Listed (DUXR) or Recognized (DUXR2) jacks required.



NOTE: Please verify fit of jack in adapter before ordering large quantities as manufacturer designs may change without notice.