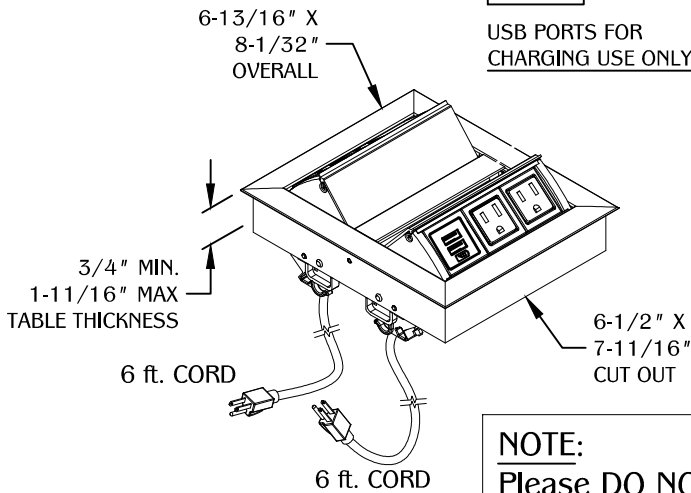


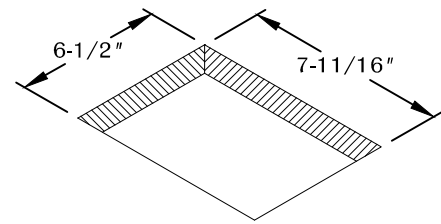


USB PORTS FOR
CHARGING USE ONLY



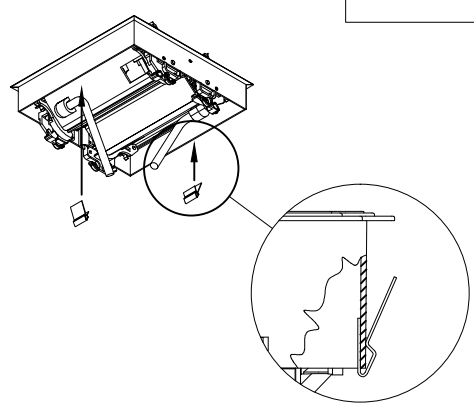
NOTE:
Please DO NOT
remove tape!

1



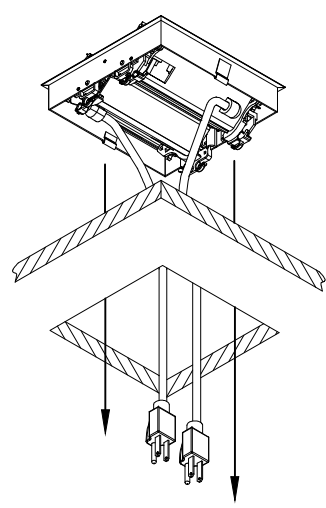
Determine the position and location of the unit on the work surface. Cut the hole at 6-1/2" X 7-11/16".

2



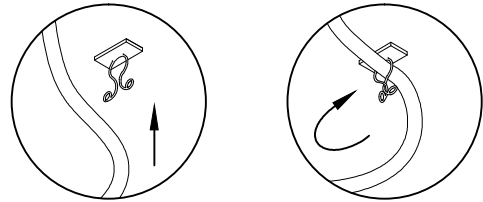
Place metal clips near the ends of the back of the unit.
(NOTE: Metal clips are for use in hard surface material only as an optional mounting means.)

3



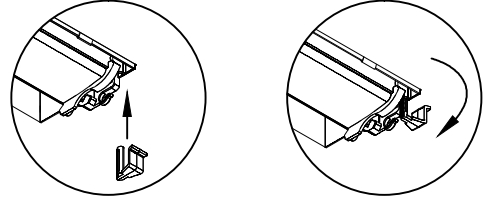
Drop in unit into cut out.

4



Optional wire manager.

5



Secure unit by turning bottom wing clamp.

TABLE OF CONTENTS:

 1 X PCS36/2/B/U1 (4 POWER, 2 DUAL USB)
 1 X WIRE MANAGER
 2 X METAL CLIPS
 2 X WING CLAMP