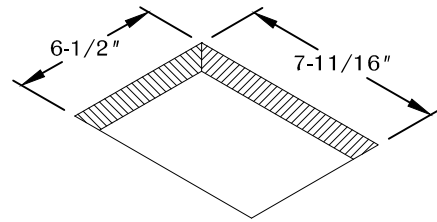
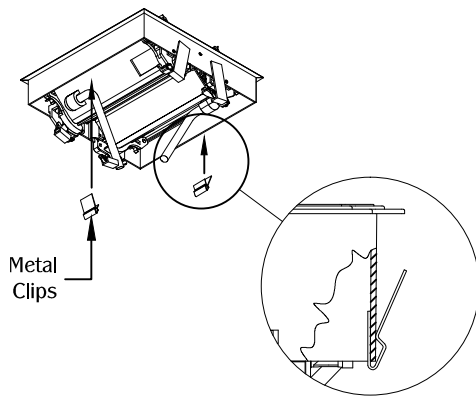


1



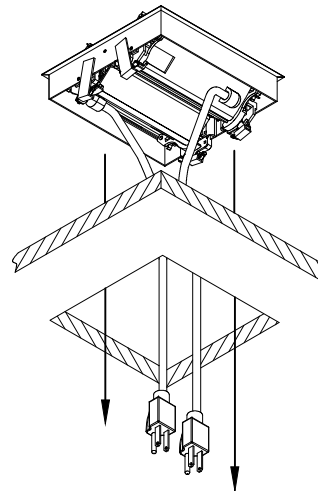
Make a cutout in the desired location on your work surface. Allow enough clearance for unit operation. **DO NOT** place unit where the cable is strained or trapped.

2



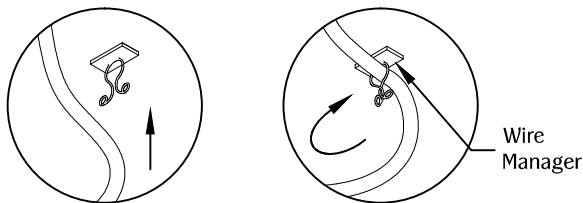
Place metal clips near the ends of the back of the unit. (NOTE: Metal clips are for use in hard surface material only as an optional mounting means.)

3



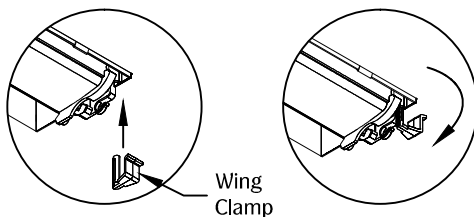
Guide the cord through the cut out. Install the unit into the cutout and make sure it is fully level on the surface.

4



Optional wire manager.

5



Secure unit by turning bottom wing clamp.

TABLE OF CONTENTS:

1 X PCS36/2/B/3E (6 POWER)
1 X WIRE MANAGER
2 X METAL CLIPS
2 X WING CLAMP