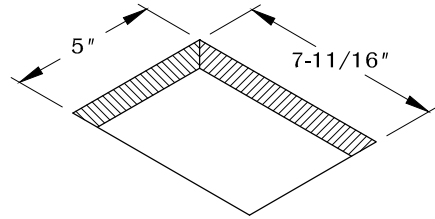
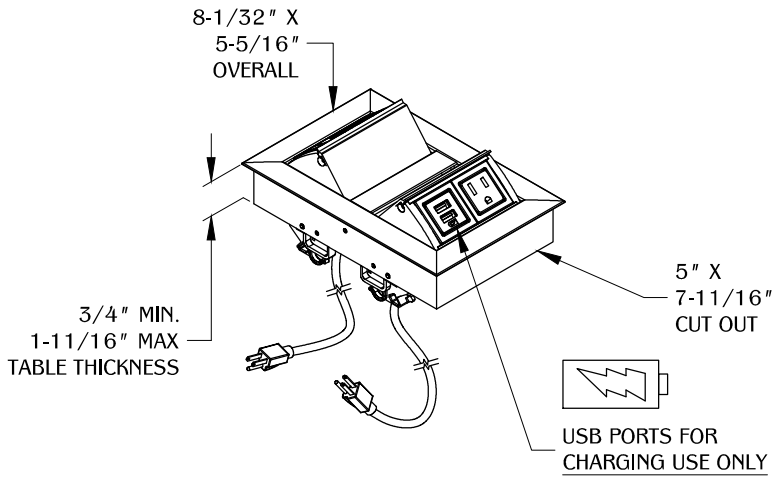
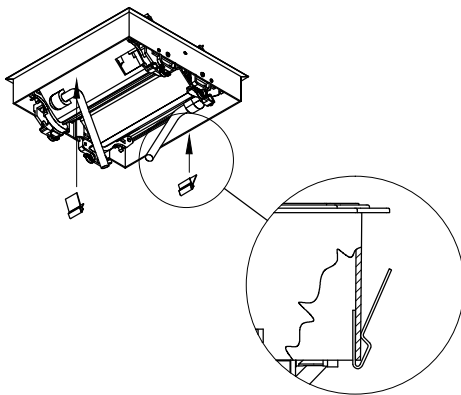


1



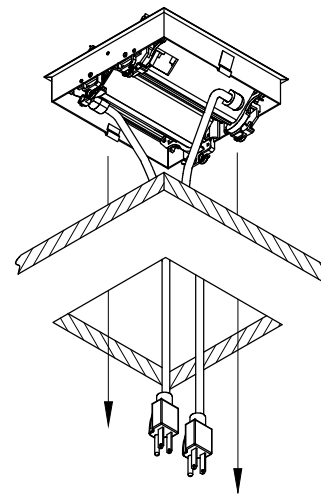
Make a cut out of 5" X 7-11/16" at the desired surface.

2



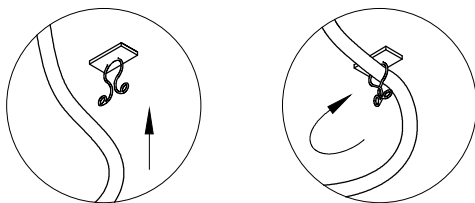
Place metal clips near the front and back of the unit. (NOTE: Metal clips are for use in hard surface material only as an optional mounting means.)

3



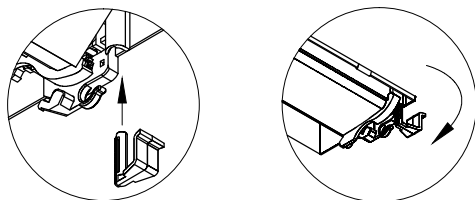
Drop in unit into cut out.

4



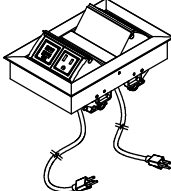



Optional wire manager.

5



Secure unit by turning bottom wing clamp.

TABLE OF CONTENTS:

1 X PCS36/2/A/U1
2 X WIRE MANAGER
2 X METAL CLIPS
2 X WING CLAMP