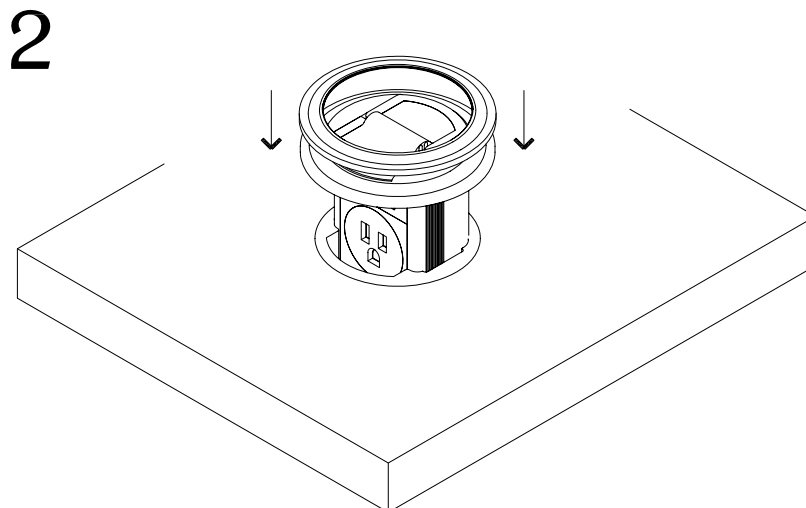


Insert ring onto rubber top lid.



Press down lightly. If needed, press sides lightly with one hand.

NOTE:
Adhesive glue may be added if needed.