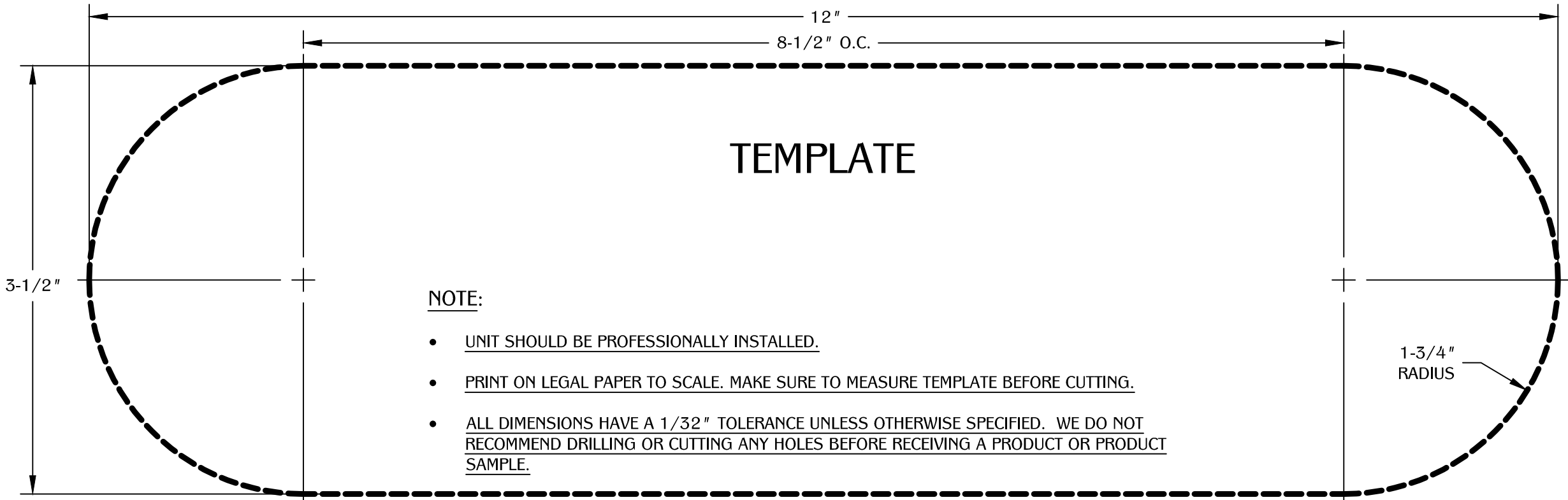
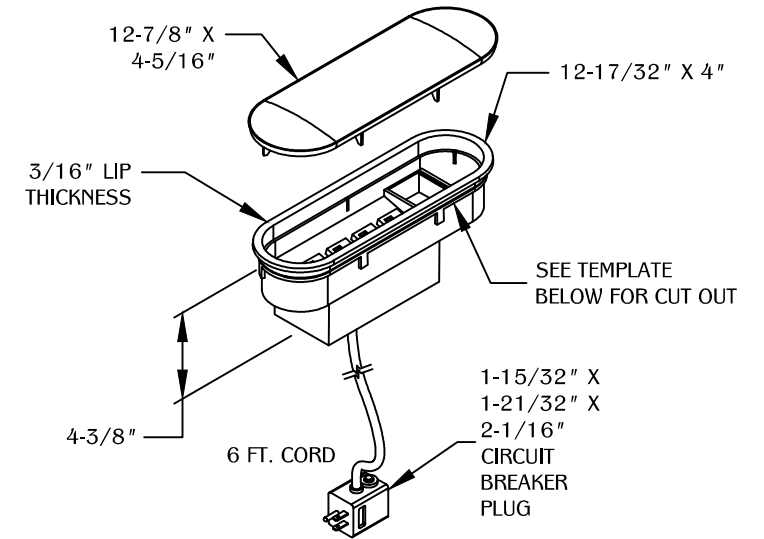
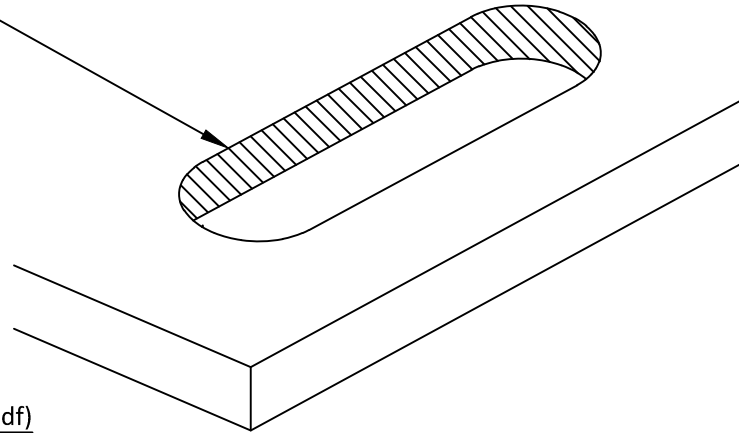


PART #

PCS3

310.318.2491 • 800.523.1269 • www.mockett.com

1. Route an oval hole 3-1/2" wide x 12" long. (Note: Masking tape may be applied over the area to help avoid chipping veneer or laminate.)
2. Lower PCS3 into place and route cord as needed. Position PCS3 so that the power cord faces the intended outlet, this is where cord will be routed. (Note: For a snug fit to the work surface, apply tape around the outside perimeter of the PCS3.)
3. Install PCS3 into table cut out. (Note: For extra copies of the template please visit our web site, <http://www.mockett.com/pdf/installation-sheets/PCS3.pdf>)



## TEMPLATE

**NOTE:**

- UNIT SHOULD BE PROFESSIONALLY INSTALLED.
- PRINT ON LEGAL PAPER TO SCALE. MAKE SURE TO MEASURE TEMPLATE BEFORE CUTTING.
- ALL DIMENSIONS HAVE A 1/32\"