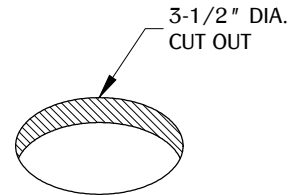
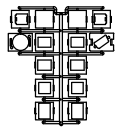


1

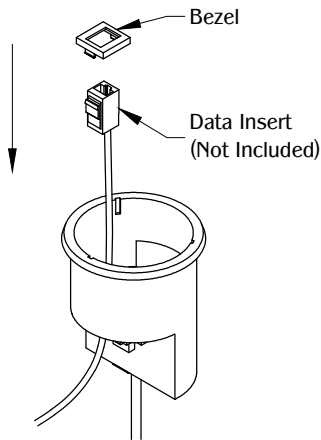


Make a cut out in the desired location on your work surface. Place near a power outlet and allow enough clearance for unit operation. **DO NOT** place unit where the cable is strained or trapped.



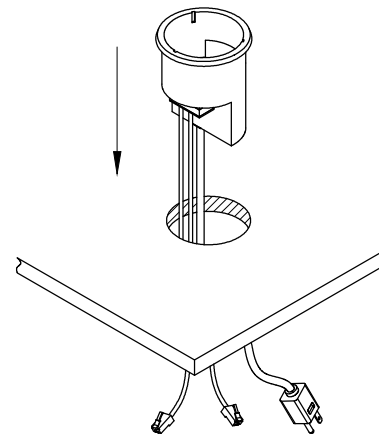
NOTE:
Secure data jacks in place with corresponding bezel adapter from data tree provided. (See PCS Data Tree information sheet for more information)

2



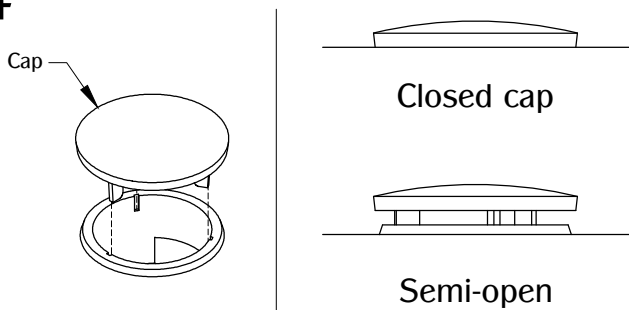
Route the data cable under the unit and through the opening. Connect the cable to the data insert. Snap the data insert to proper bezel. Snap the bezel inside the power unit.

3




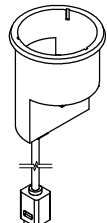
Install the unit into the cut out and make sure it is fully level on the surface. (Note: For a tighter fit in to the cut out, apply tape around the outside perimeter of the unit.)

4



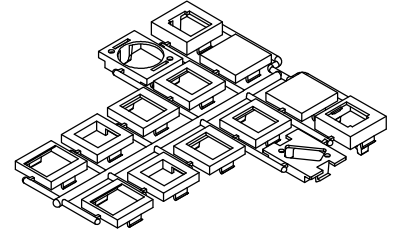
Align the cap's feet with the grooves on top of the unit to close the top. If a gap is required for wires, unalign the cap and sit the cap on top of the lip of the unit.

TABLE OF CONTENTS:

1 X CAP
1 X PCS1A-U

PCS Data Tree

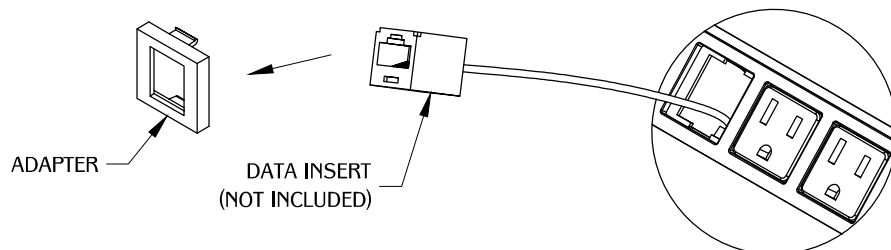
- 1.) Select the appropriate adapter from the chart below. (example: Panduit Mini-Com Series jack would use "FF" adapter marked on back of adapter.)



* Jacks, not included, UL Listed (DUXR) or Recognized (DUXR2) jacks required.

Adapter	Manufacturer	Website
AA	Systimax/CommScope	www.Commscope.com/Systimax
AA	Uniprise/CommScope	www.Commscope.com/Systimax
BB	L-Com Keystone Modular	www.L-Com.com
BB	NETCONNECT, and 110 Connect Series Modular Jack	www.Anixter.com
BB	Siemon ZMAX Style	www.Siemon.com
BB	Allen Tel Versa Tap Series	www.Graybar.com
BB	Leviton Quick Port ® Series	www.Leviton.com
BB	Belden REVconnect	www.Belden.com
CC	Hubble Nextspeed™ Keystone Series	www.Hubbell-premise.com
DD	Blank (No coupler/jack)	-
EE	Ortronics TracJack Series	www.Ortronics.com
FF	Panduit Mini-Com Series	www.Panduit.com
GG	Microphone Jack/3-pin XLR, solder style only	www.Mockett.com
HH	Video Monitor Jack/DB-15, panel mount solder style	www.Mockett.com

- 2.) Snap Jack into adapter following the instructions provided with the jack.
 3.) Once assembled, snap adapter into the notched, square holes in the orientation shown.



NOTE: Please verify fit of jack in adapter before ordering large quantities as manufacturer designs may change without notice.