

NOTE: It is very important that the PCS19 top thickness is the correct thickness or access to the date ports will be restricted.

#### Determining Recommended Top Thickness:

1. Use the chart above to find the table thickness on the bottom of the scale.
2. Move up the chart until you reach the first line, this is the minimum the top thickness can be.
3. Move further up the chart until you reach the next solid line. This is the maximum thickness the top can be.
4. Your finished top should fall between these two limits for the most cases it will be between 1/8" to 3/4".
5. The upper dotted line represents the maximum thickness for the top if no data connections are needed.

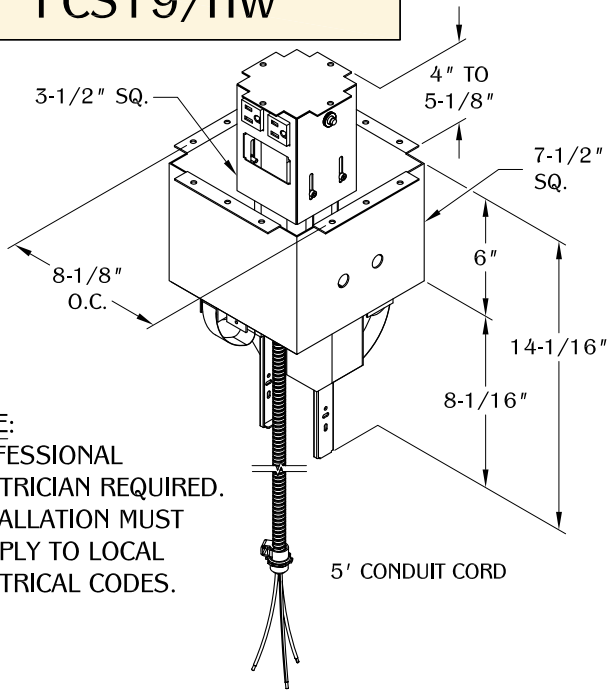
NOTE: If the PCS19/ROUND and the PCS19/SQAUARE are to be used as the PCS19 top, the following needs to be considered.

1. The plate thickness is 1/8".
2. The table thickness is 3/4" min. to 1-1/2" max.

PART #

PCS19/HW

310.318.2491 • 800.523.1269 • www.mockett.com

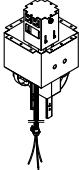





**NOTE:**  
PROFESSIONAL  
ELECTRICIAN REQUIRED.  
INSTALLATION MUST  
COMPLY TO LOCAL  
ELECTRICAL CODES.

5' CONDUIT CORD

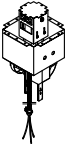




## PCS19 (No Top)

TABLE OF CONTENTS:

	.....1 X PCS19
	.....12 X #10 x 1/2" Screws
	.....4 X #3 x 5/16" Screws (used for mounting Optional PCS19/BF & PCS19/BFR)
	.....7/64" hex key

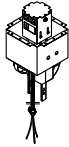




## PCS19/R - Round top

TABLE OF CONTENTS:

	.....1 X PCS19
	.....1 X PCS19 Top
	.....12 X #10 x 1/2" Screws
	.....4 X #3 x 5/16" Screws (used for mounting Optional PCS19/BF & PCS19/BFR)
	.....7/64" hex key

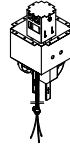





## PCS19/S - Square top

TABLE OF CONTENTS:

	.....1 X PCS19
	.....1 X PCS19 Top
	.....12 X #10 x 1/2" Screws
	.....4 X #3 x 5/16" Screws (used for mounting Optional PCS19/BF & PCS19/BFR)
	.....7/64" hex key

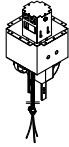





## PCS19/R/KIT - Round top w/ Brush liner

TABLE OF CONTENTS:

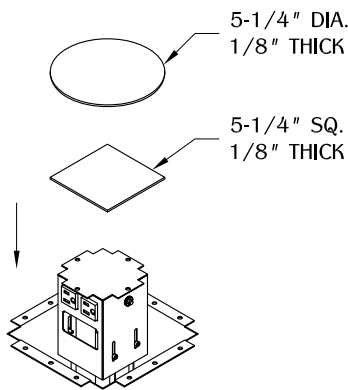
	.....1 X PCS19
	.....1 X PCS19/BFR
	.....1 X PCS19/ROUND
	.....12 X #10 x 1/2" Screws
	.....4 X #3 x 5/16" Screws (used for mounting Optional PCS19/BF & PCS19/BFR)
	.....7/64" hex key

## PCS19/S/KIT - Square top w/ Brush liner

TABLE OF CONTENTS:

	.....1 X PCS19
	.....1 X PCS19/BF
	.....1 X PCS19/SQUARE
	.....12 X #10 x 1/2" Screws
	.....4 X #3 x 5/16" Screws (used for mounting Optional PCS19/BF & PCS19/BFR)
	.....7/64" Hex key

1

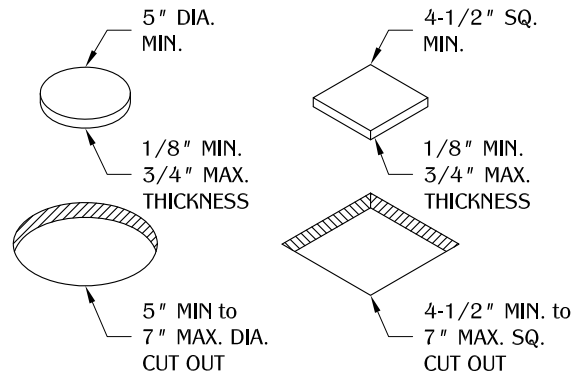


**NOTE:** Comes with double sided tape.

Attach PCS19/SQUARE or PCS19/ROUND top plate on top of the PCS unit.  
 (For Custom TOP proceed to STEP 2.  
 For round or square top proceed to STEP 3.  
 For round or square top with brush flange liner proceed to STEP 4.)

2

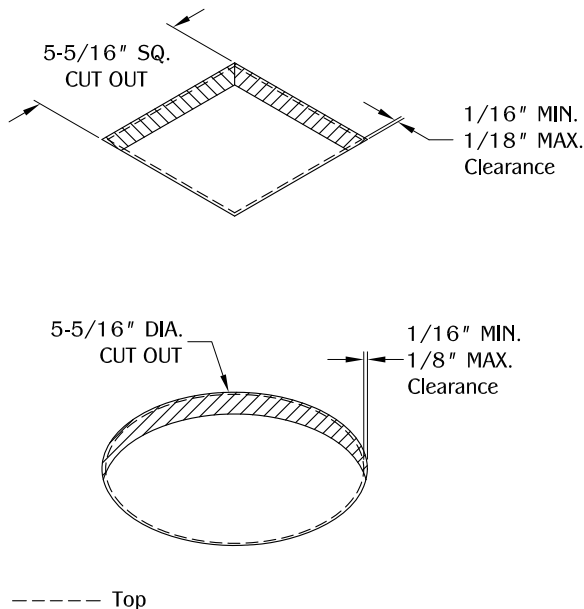
CUSTOM TOP



**NOTE:** Lift weight capacity is about 4lbs.

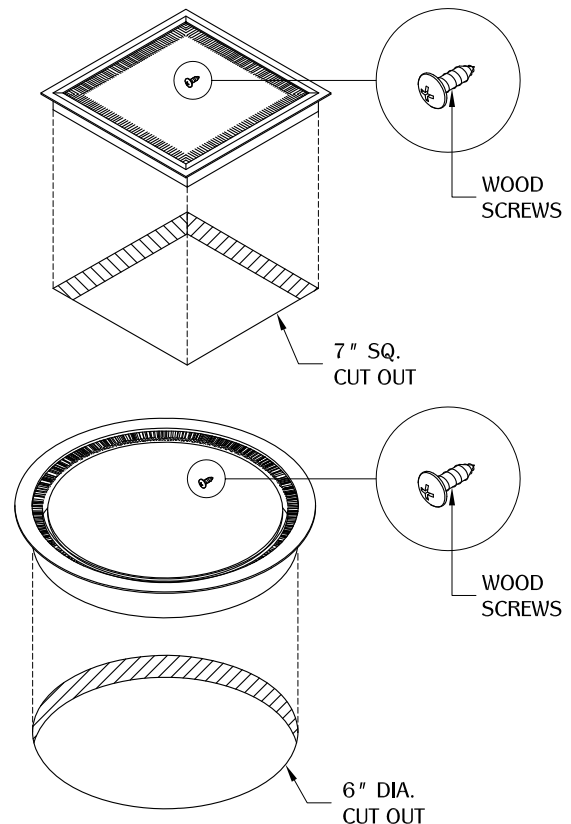
Determine the type of application and ensure table and top sizes fall within the parameters.

3



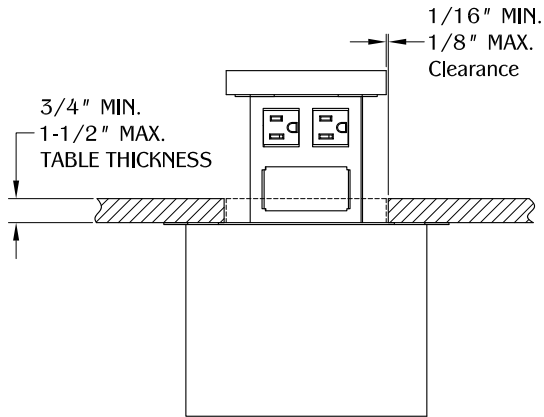
Make a 5-5/16" DIA. or a 5-5/16" SQ. cut out in the desired work surface. (**NOTE:** Ensure to allow for an adequate clearance between both finished surfaces. Recommended gap between 1/16" to 1/8".)

4



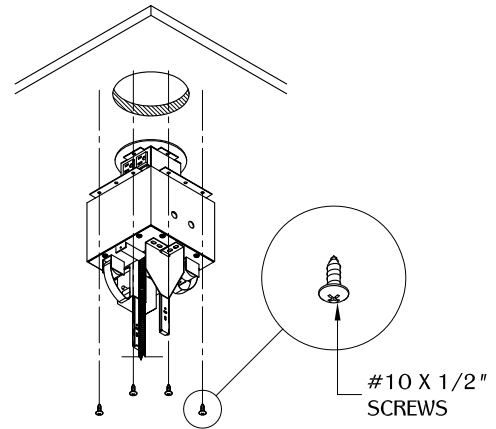
Insert PCS19/BF and PCS19/BFR into the cut out. Use (4) mounting screws to secure the part.

## 5



Fabricate top and cut out table as required. Ensure to allow for an adequate clearance between both finished surfaces. Recommended gap between 1/16" to 1/8".

## 6

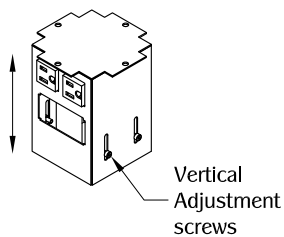


Insert PCS19 under the table using #10 x 1/2" screws provided. Operate PCS19 to ensure no interference between top and table occurs and PCS19 functions properly.

## 7

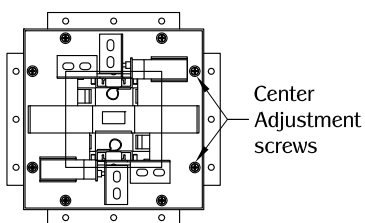
To adjust for vertical:

Use 7/64" hex key provided to loosen the 4 screws on the side of the housing and move housing to the desired height. Then tighten screws.



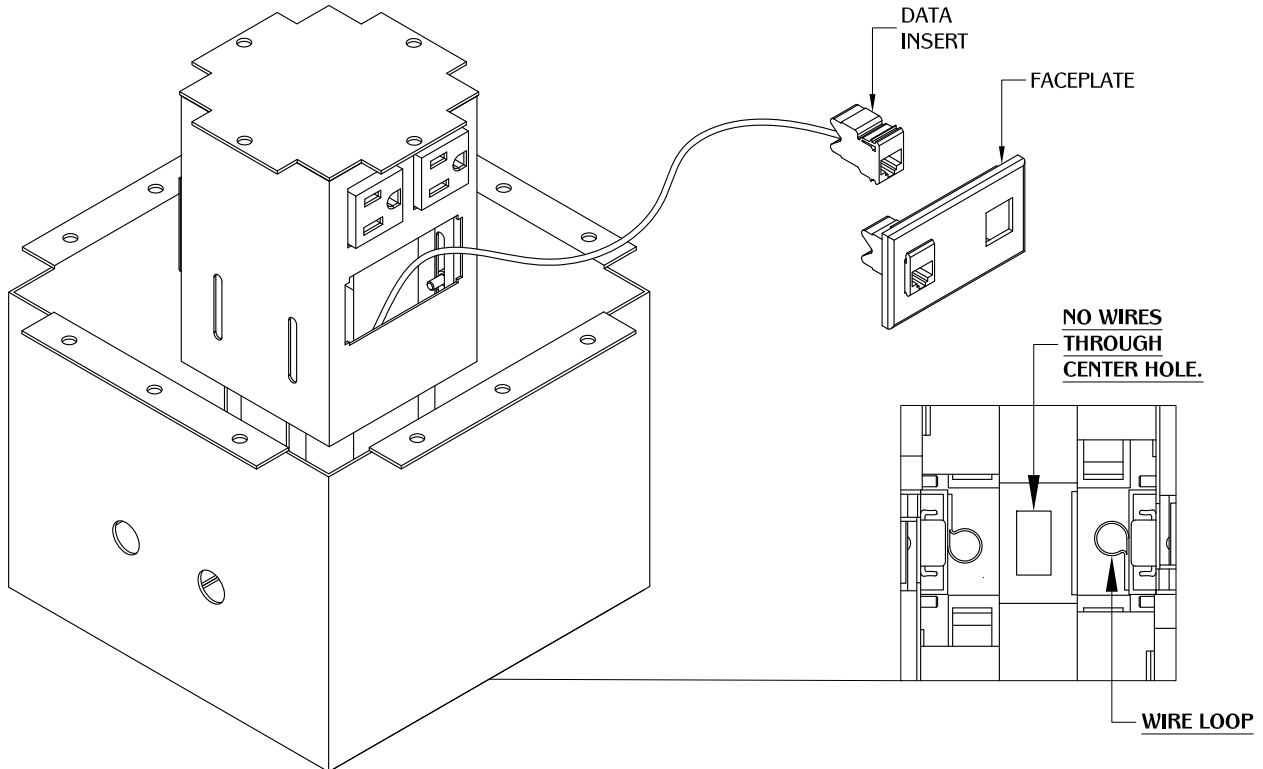
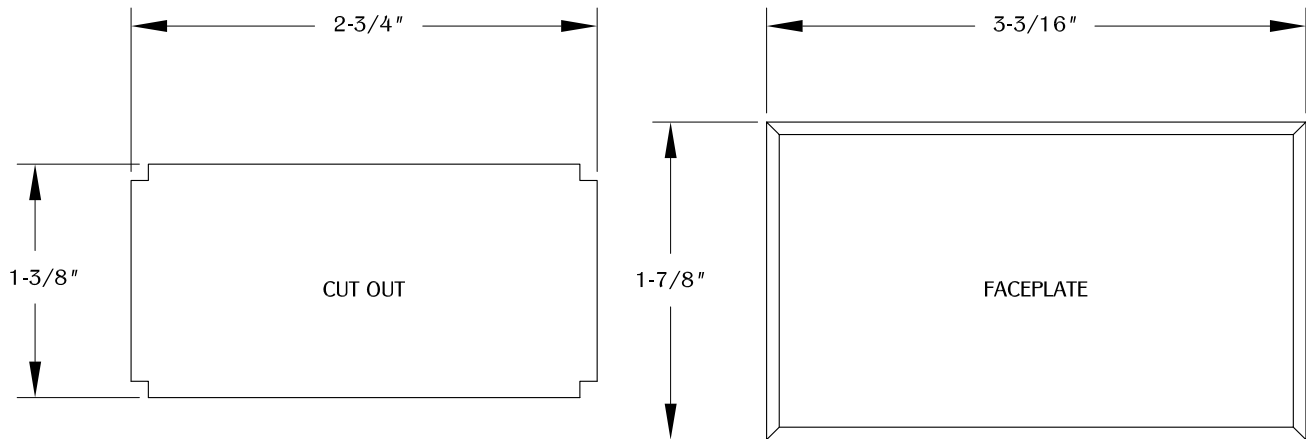
To center top in opening:

Loosen 8 adjustment screws and center top in opening and tighten all 8 screws.



PART #

PCS19/HW

310.318.2491 • 800.523.1269 • [www.mockett.com](http://www.mockett.com)

1. If data faceplate is already in the unit, remove by squeezing the tabs on the backside and push out.
2. Feed data cable through wire loop (an open hole by the center) and through grommet base of the unit.
3. After the data cable is installed, connect data insert to the faceplate. Insert from rear into opening at an angle, first locking bottom tab in place, then rotating forward to lock in place. Should "click" when secure.
4. Install data cable and additional data inserts as needed.
5. Snap faceplate into unit ensuring that the tabs on all four corners are engaged.

Note: For compatible data insert options, please visit [www.mockett.com/pcs-inserts-4](http://www.mockett.com/pcs-inserts-4) for details.