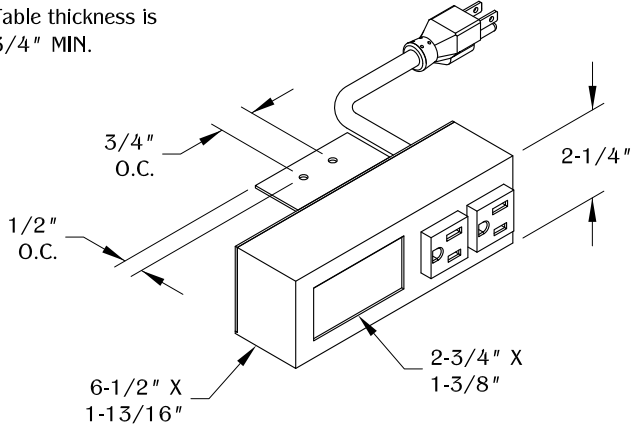


PART #
PCS13/R-90U

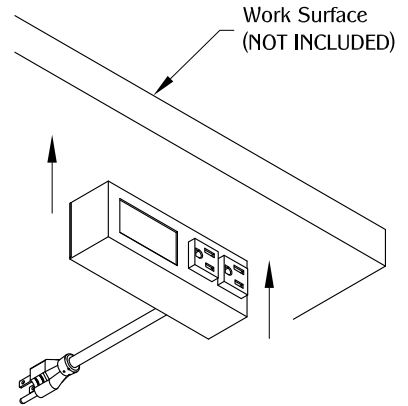
310.318.2491 • 800.523.1269 • www.mockett.com

NOTE:

- 6 ft. cord.
- Table thickness is 3/4" MIN.

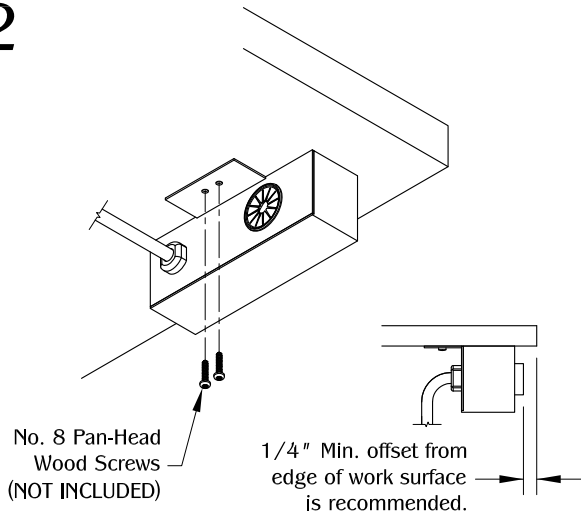


1



Determine position and location of the unit under the work surface. **DO NOT** place unit where the cable is strained or trapped.

2



Secure the unit by using (2) pan-head wood screws. Plug in power cord and unit is now ready for use.