

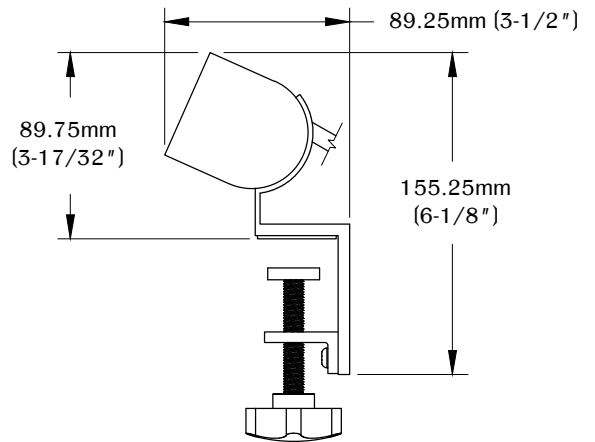
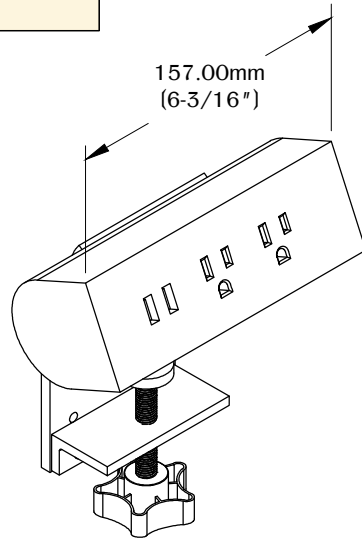
PART #

PCS119

310.318.2491 • 800.523.1269 • www.mockett.com

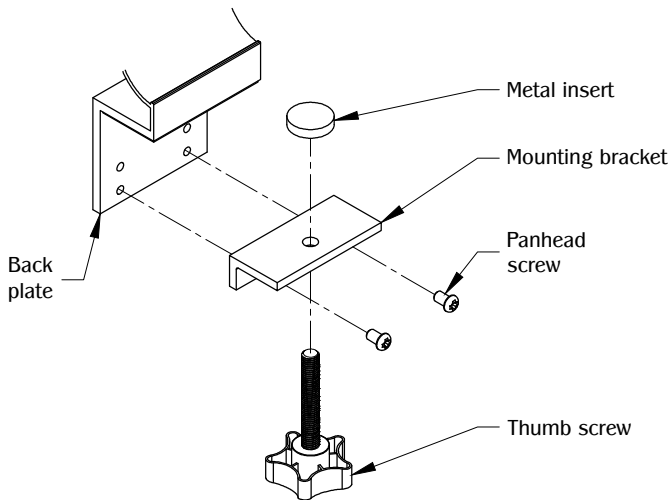
NOTE:

- 5 ft. Cord
- USB-A ports are for charging use **ONLY**.
- See step 1 for table thickness.



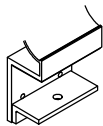
SIDE VIEW

1



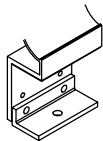
Top Orientation

10.00mm (13/32") MIN.
23.00mm (29/32") MAX. table thickness.



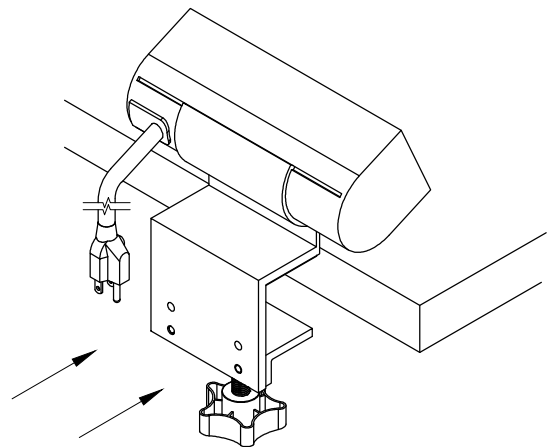
Bottom Orientation

13.00mm (1/2") MIN.
59.00mm (2-5/16") MAX. table thickness.



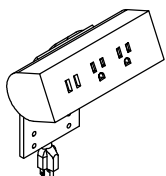
Determine the table thickness and orientation of the mounting bracket. Use (2) panhead screws to secure onto the back plate.

2



Loosen the thumb screw on the mounting bracket and slide PCS119 onto the edge of the work surface. Tighten thumb screw to secure part.

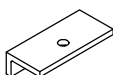
TABLE OF CONTENTS:



..... 1X PCS119



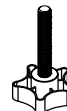
..... 2X 10.00mm (13/32") M6-1.0 thread Panhead screw



..... 1X Mounting bracket



..... 1X Metal insert



..... 1X Thumb screw