

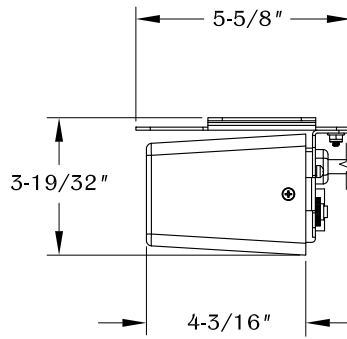
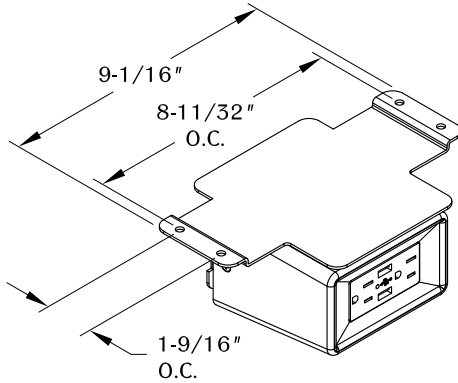
PART #

PCS116

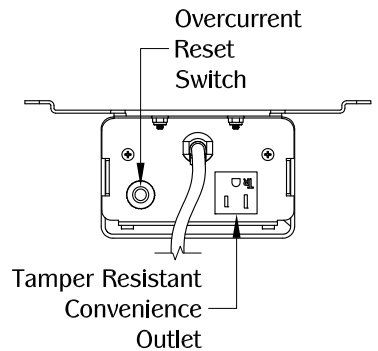
310.318.2491 • 800.523.1269 • www.mockett.com

NOTE:

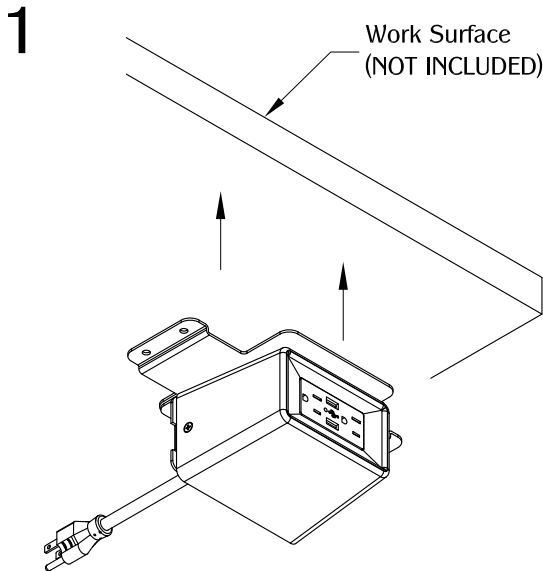
- 15A tamper resistant outlet with overcurrent switch (push the overcurrent reset switch, when the load exceeds the rated current).
- USB ports are for charging use ONLY.
- 8 ft. cord
- Table thickness is 3/4" MIN.



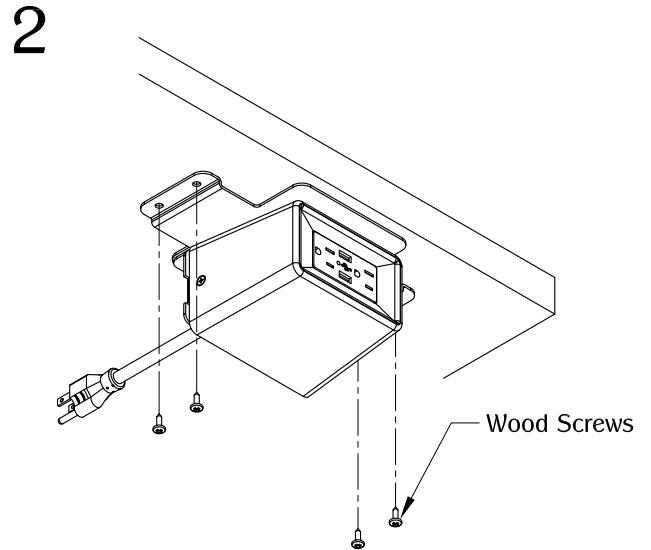
RIGHT VIEW



REAR VIEW

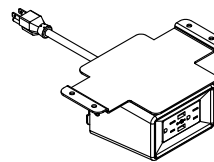


Determine position and location of the unit under the work surface. DO NOT place unit where the cable is strained or trapped.



Secure the unit by screwing in (4) pan head wood screws. Plug the unit into nearby outlet and the unit is ready for use.

TABLE OF CONTENTS:



.....1X PCS116



.....4X 3/4"  
No.10 Pan Head  
Wood Screws