

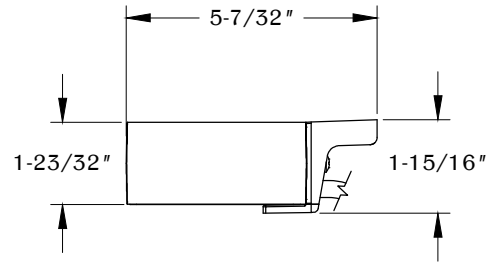
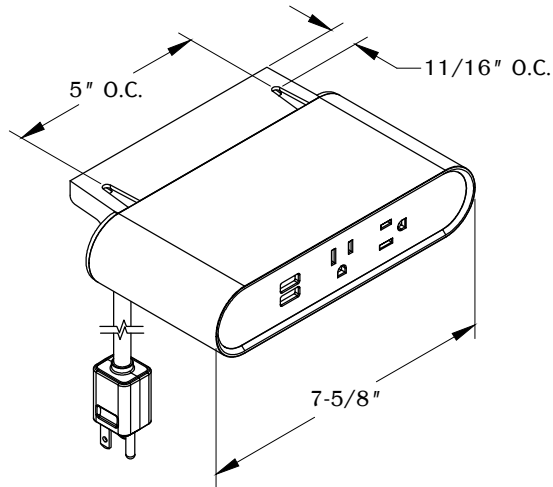
PART #

PCS115

310.318.2491 • 800.523.1269 • www.mockett.com

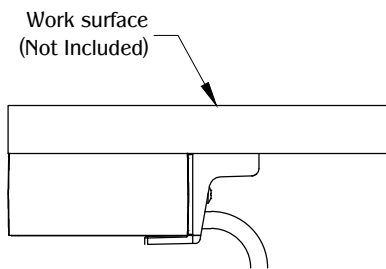
NOTE:

- 9 ft. Cord
- USB ports are for charging use ONLY.
- For use on a normally dry work surface.



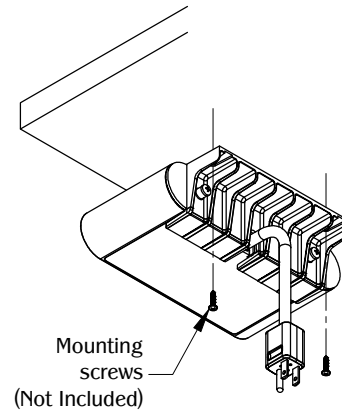
RIGHT VIEW

1



Determine the position and location of the unit under the work surface. Place and allow enough clearance for unit operation. DO NOT place unit where the cable is strained or trapped.

2



Secure the unit by using (2) pan head wood screws. Make sure the unit is fully leveled under the work surface. Plug the unit into nearby outlet and unit is ready for use.