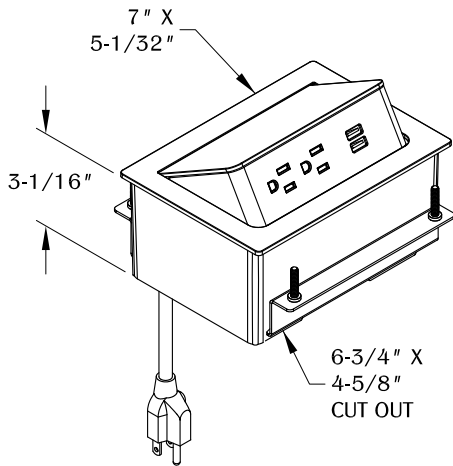
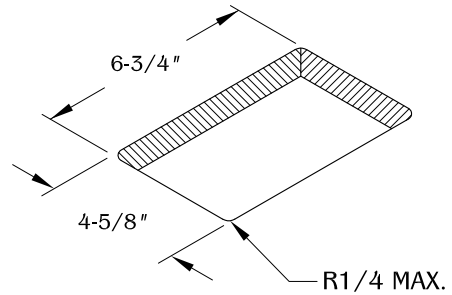


NOTE:

- USB ports are for charging use **ONLY**.
- 6 ft. cord
- Table thickness is 3/4" MIN. to 1-1/2" MAX.

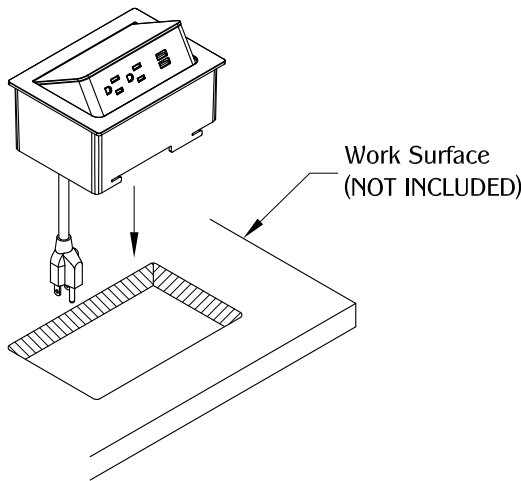


1



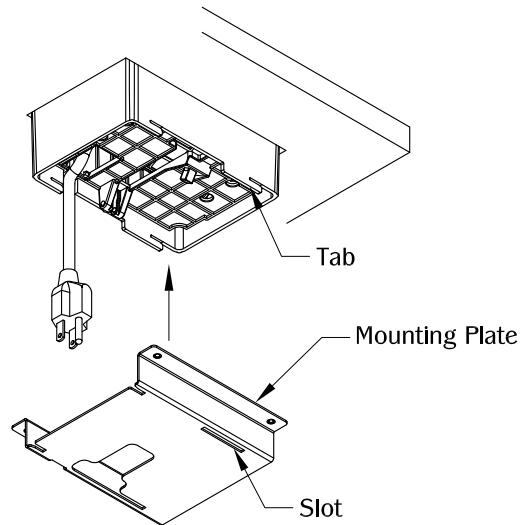
Determine position and location of the unit on the work surface. Cut the hole at 6-3/4" X 4-5/8". Place and allow enough clearance for unit operation. **DO NOT** place unit where the cable is strained or trapped.

2



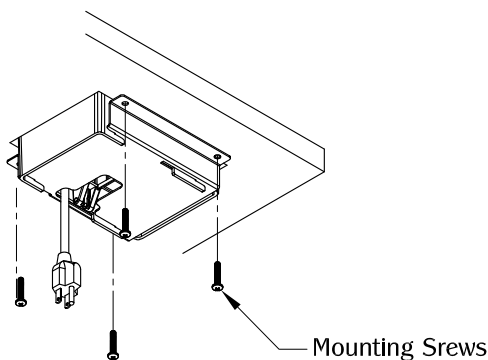
Guide the power cord through the cut out. Install the unit into the cut out and sure it is fully leveled onto the surface.

3



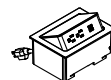
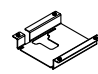



Attach mounting plate to the bottom of the unit by aligning the tabs on the PCS114 with the slots on the mounting plate and slide into place.

4



Secure the unit by screwing in (4) pan head mounting screws. Plug the unit into nearby outlet and the unit is ready for use.

TABLE OF CONTENTS:

|  |   |
|--|---|
|  | .....1X PCS114                                |
|  | .....1X Mounting Plate                        |
|  | .....4X 1" No. 10-24 Pan Head Mounting Screws |
|  | .....2X Wire Guide                            |
|  | .....2X 1/2" No. 8 Pan Head Wood Screw        |