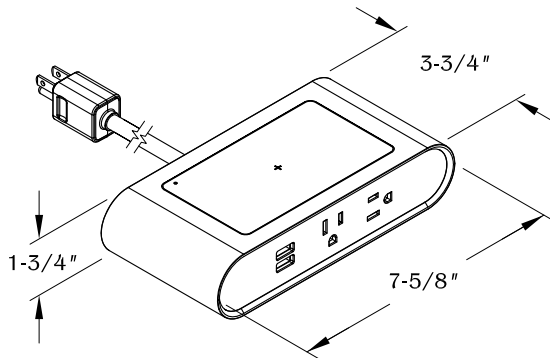
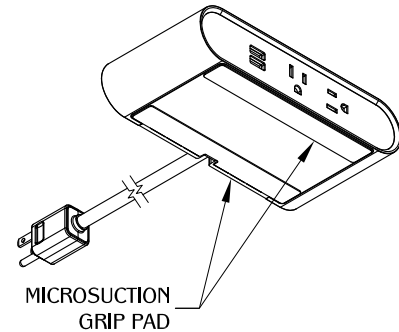


NOTE:

- USB ports are for charging use ONLY.
- 9 ft. cord
- Mobile device must be equipped with a wireless charging receiver (wireless charging accessories not included). Check mobile manufacturer for compatibility.
- Wireless output 5W Max.

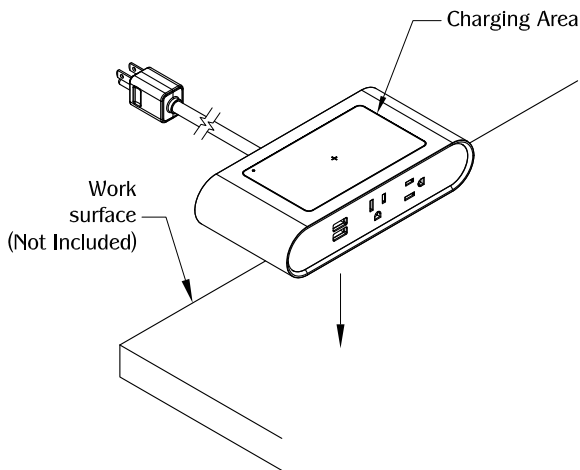


1



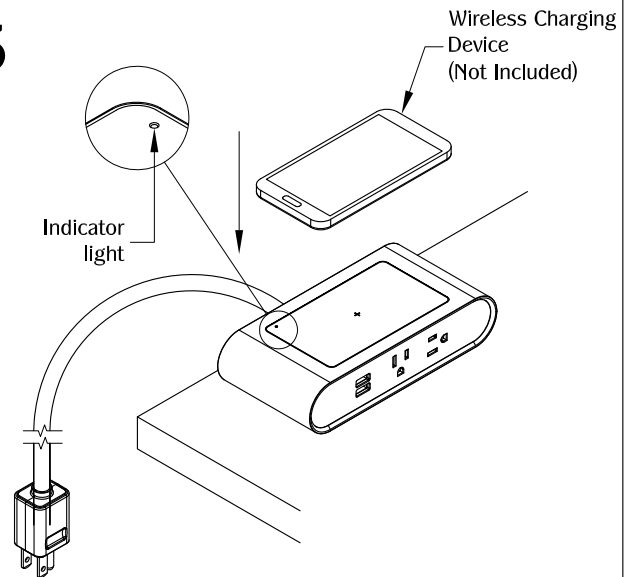
Remove film from micro suction grip pads on the bottom of the unit before placing on work surface.

2



Once the film is removed from the micro suction grip pads, place the unit on the desired location of the work surface. Make sure the unit is fully leveled on the work surface.

3



Position the mobile device on the center of the charging area. The indicator light will blink a blue light to signify that the device is actively charging or the charging icon will activate on the device's screen. The indicator light will show a red light when the device is not aligned at the center of the charging area.