

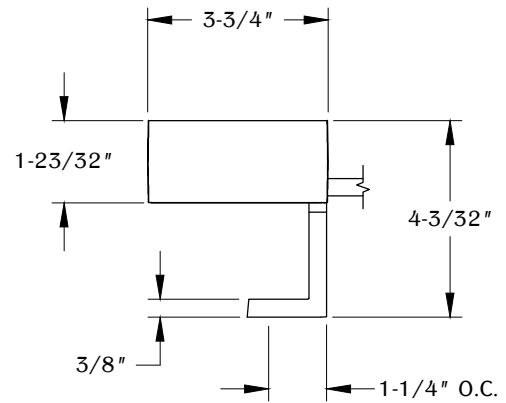
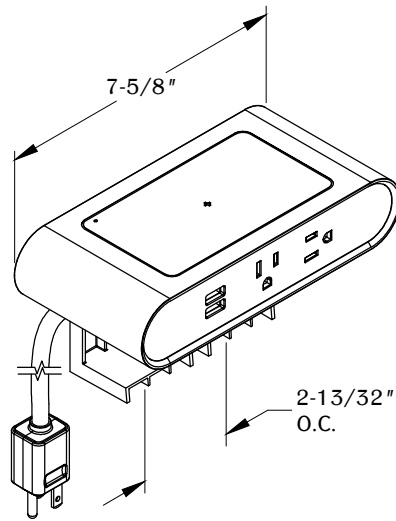
PART #

PCS112/WC/U1

310.318.2491 • 800.523.1269 • www.mockett.com

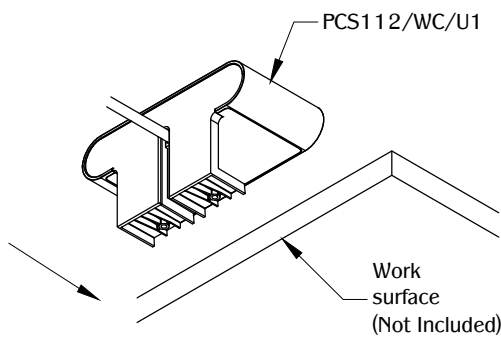
NOTE:

- 9 ft. Cord.
- Table thickness is 2" Max.
- USB ports are for charging use ONLY.
- For use on a normally dry work surface.
- Mobile device must be equipped with a wireless charging receiver (Wireless charging accessories not included.) Check mobile manufacturer for compatibility.
- Wireless output 5W Max.



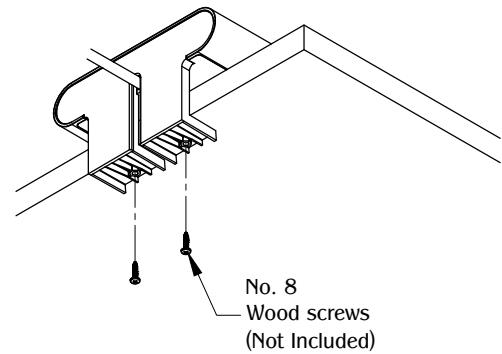
RIGHT VIEW

1



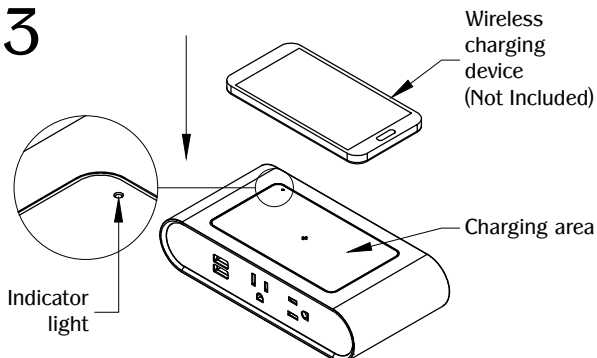
Install the unit at the desired edge of the work surface. Make sure the unit is fully leveled on the work surface.

2



Secure the unit by using (2) pan-head screws. Plug the unit into nearby outlet (outlet should be close enough to where power cord is not taut or strained) and unit is ready for use.

3



Position the mobile device on the center of the charging area. The indicator light will blink a blue light to signify that the device is actively charging or the charging icon will activate on the device's screen. The indicator light will show a red light when the device is not aligned at the center of the charging area.