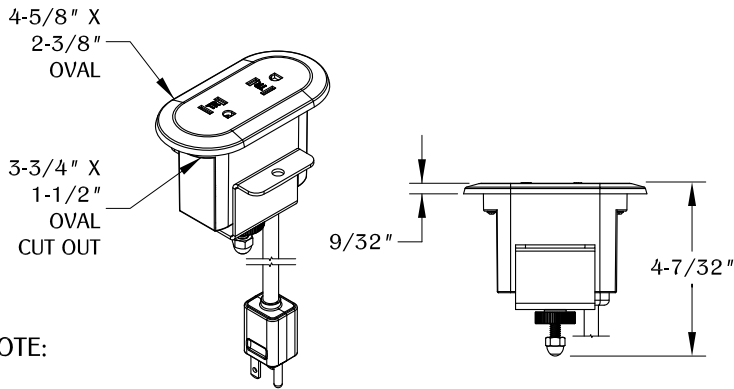


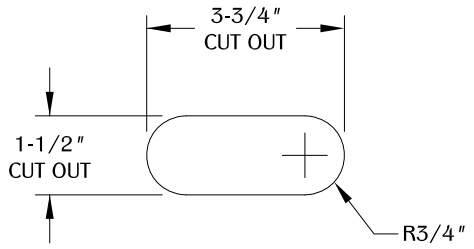
PART #

PCS111A

310.318.2491 • 800.523.1269 • www.mockett.com



1



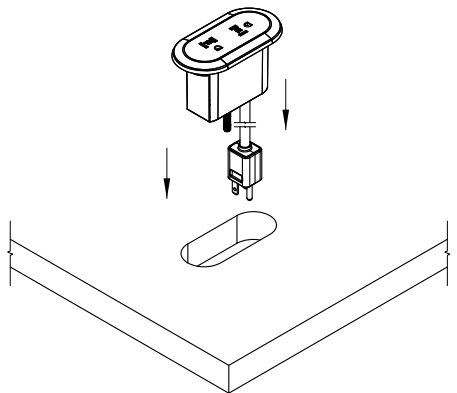
Make a cutout in the desired location on your work surface. Allow enough clearance for unit operation. **DO NOT** place unit where the cable is strained or trapped.

NOTE:

- 9 ft. cord.
- Table thickness is 1-1/8" MIN. to 1-3/4" MAX. (1-3/4" table thickness does not require end cap).

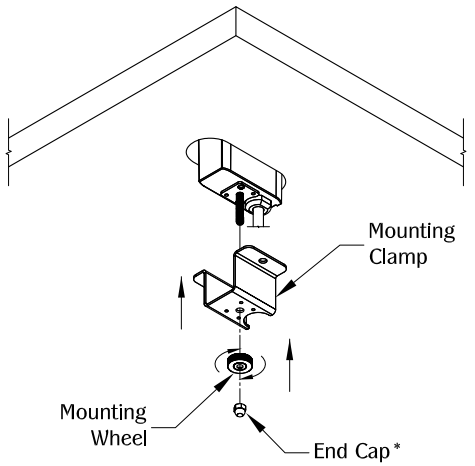
FRONT VIEW

2



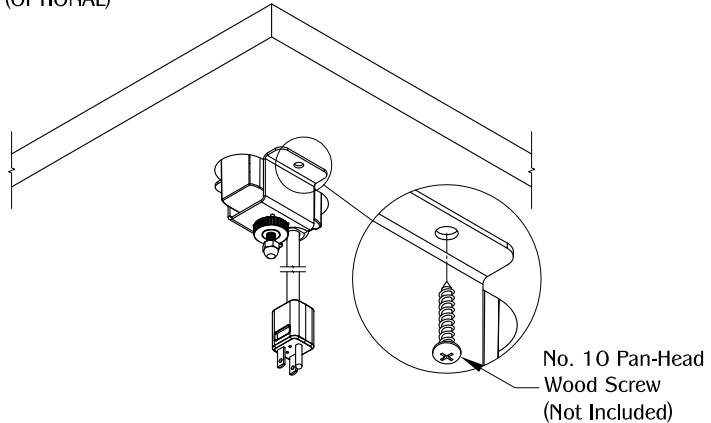
Guide the cord through the cut out. Install the unit into the cutout and make sure it is fully level on the surface.

3



Attach the mounting clamp from underneath the work surface by turning the mounting wheel clockwise until unit is secure. Screw on end cap.

4 (OPTIONAL)



Use (2) pan-head screws to completely secure unit if necessary.

TABLE OF CONTENTS:

1X PCS111A
1X Mounting Clamp
1X Mounting Wheel
1X End Cap