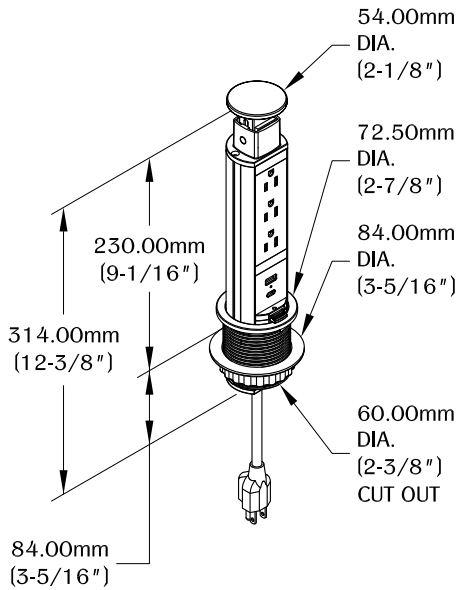
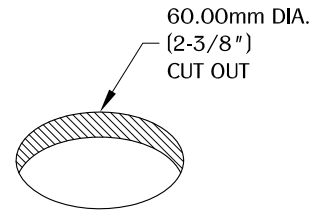


NOTE:

- USB-A & USB-C ports are for charging use ONLY.
- 5 ft. cord.
- Table thickness is 13.00mm MIN. (1/2") to 51.00mm MAX. (2").



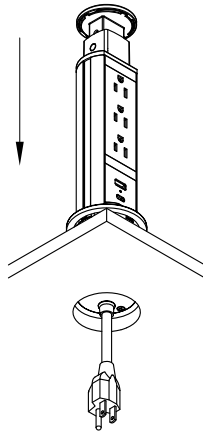
1



Note:
Minimum clearance required under the work surface is 13".

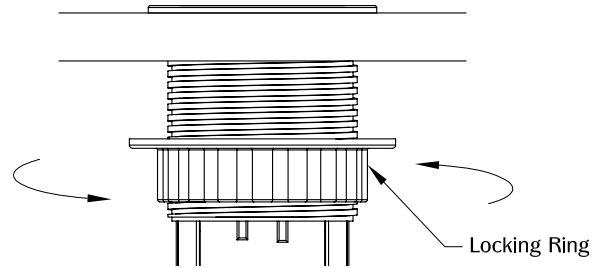
Make a cutout in the desired location on your work surface. Allow enough clearance for unit operation. DO NOT place unit where the cable is strained or trapped.

2



Guide the cord through the cut out. Install the unit into the cutout and make sure it is fully level on the surface.

3



Screw threaded locking ring onto mounting collar by turning clockwise. Locking ring should rotate smoothly once properly engaged. If not, the locking ring may be cross-threaded - undo and try again. Plug unit into nearby outlet and unit should be ready for use.

TABLE OF CONTENTS:



.....1 X PCS110



.....1 X Locking Ring