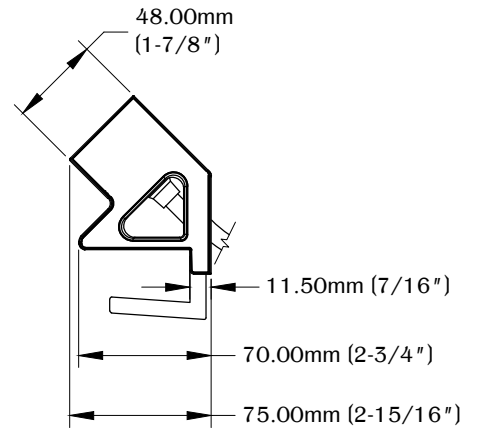
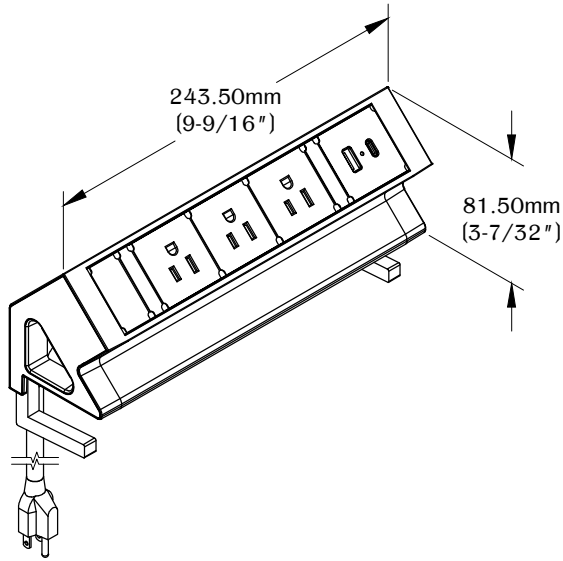


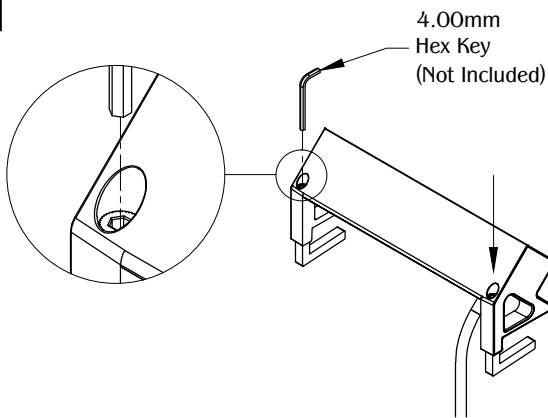
NOTE:

- 5 ft. Cord
- USB-A & USB-C ports are for charging use **ONLY**.
- Table thickness is 10.00mm (13/32") MIN. to 40.00mm (1-9/16") MAX.



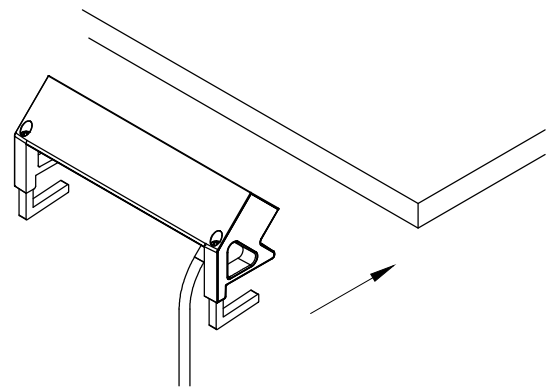
RIGHT VIEW

1



Loosen the hex screw on the rear of the unit on both sides to adjust the mounting brackets.

2



Make sure the unit is fully leveled on the edge of the work surface. Secure the unit by tightening the hex screws on both ends. Plug the unit into nearby outlet and unit is ready for use. (Note: Outlet should be close enough to where power cord is not taut or strained.)