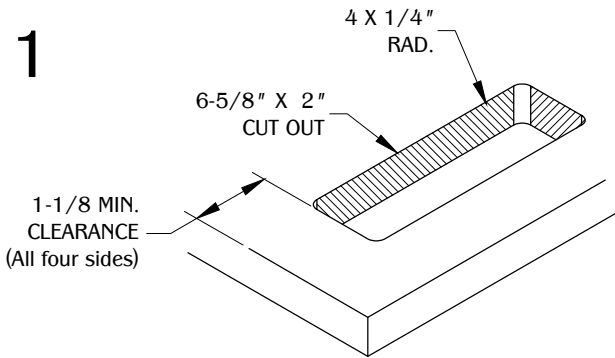
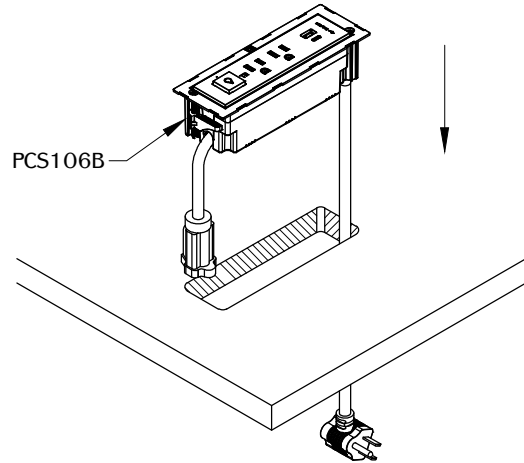


1



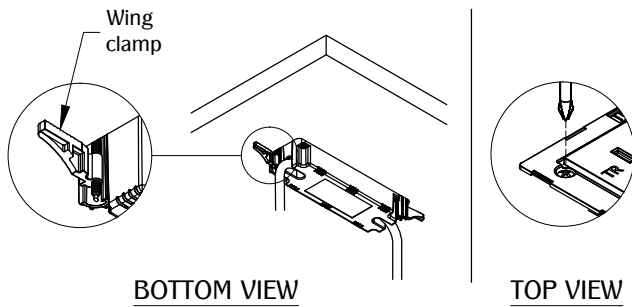
Make a cut out in the desired location on your work surface. Place near a power outlet and allow enough clearance for unit operation. **DO NOT** place unit where the cable is strained or trapped.

2



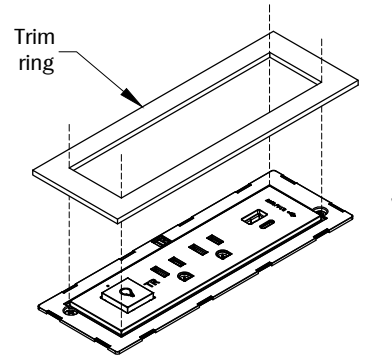
Guide the power cord through the cut out. Install the unit into the cut out and make sure it is fully leveled onto the surface.

3



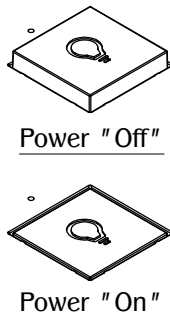
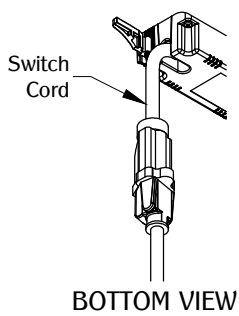
Secure the unit by using the wing clamp on both sides under the unit. Use a Phillips screw driver to hand-tighten and lock the wing clamp from the top of the unit.

4



Align and snap the trim ring to the top of the unit.

5 Convenience Lamp Outlet



Connect a lamp to the switch outlet below the unit. Push the button on the face of the unit to switch the power "On" or "Off".

TABLE OF CONTENTS:

1 X PCS106B

1 X Trim ring

⚠ WARNING ⚠

- USB-A and USB-C ports are for charging use ONLY.
- For indoor use only.
- If any malfunction occurs, do not attempt to repair.
- Do not insert foreign objects into power outlets.
- Risk of electric shock. (Do not plug into another relocatable power tap.)
- Do not plug in equipment that exceeds the amperage rating of the unit.
- Convenience lamp outlet not specified to connect another power distribution unit.