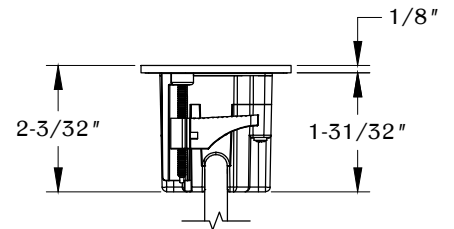
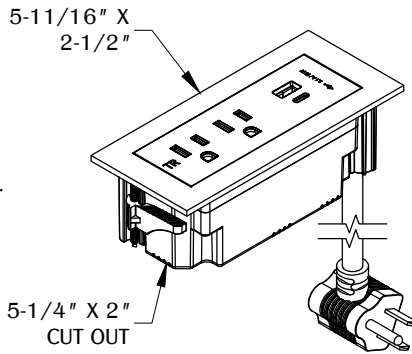
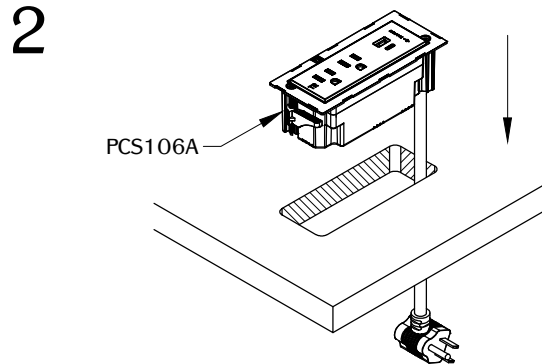
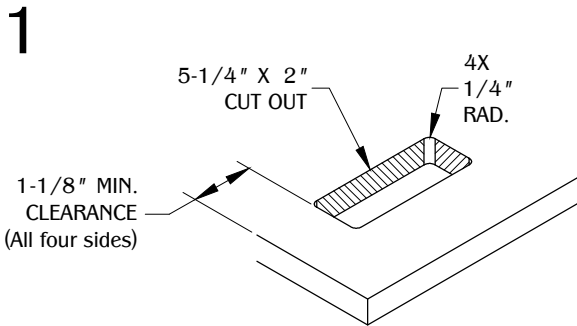


NOTE:

- 6 ft. cord length.
- Table thickness is 3/8" MIN. to 1-1/4" MAX.
- USB-A & USB-C ports are for charging use only.

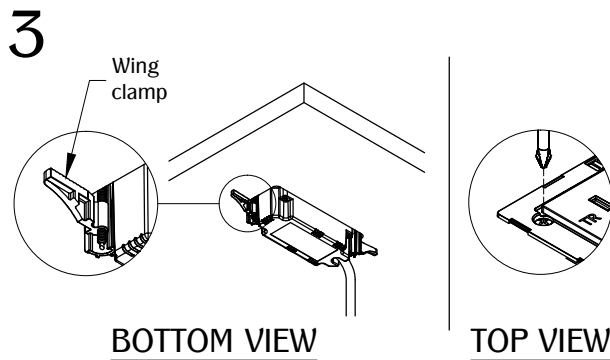


RIGHT VIEW

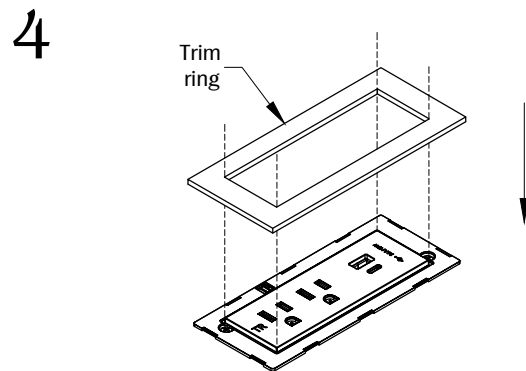


Determine the position and location of the unit in the work surface. Make a 5-1/4" X 2" cut out. Place near a power outlet and allow enough clearance for unit operation. **DO NOT** place unit where the cable is strained or trapped.

Guide the power cord through the cut out. Install the unit into the cut out and make sure it is fully leveled onto the surface.



Secure the unit by using the wing clamp on both sides under the unit. Use a Phillips screw driver to hand-tighten and lock the wing clamp from the top of the unit.



Align and snap the trim ring to the top of the unit. Plug the unit into nearby outlet and unit is ready for use.

⚠ WARNING ⚠

- For indoor use only.
- If any malfunction occurs, do not attempt to repair.
- Do not insert foreign objects into power outlets.
- Risk of electric shock. (Do not plug into another relocatable power tap.)
- Do not plug in equipment that exceeds the amperage rating of the unit.

TABLE OF CONTENTS:

1X PCS106A
1X Trim ring