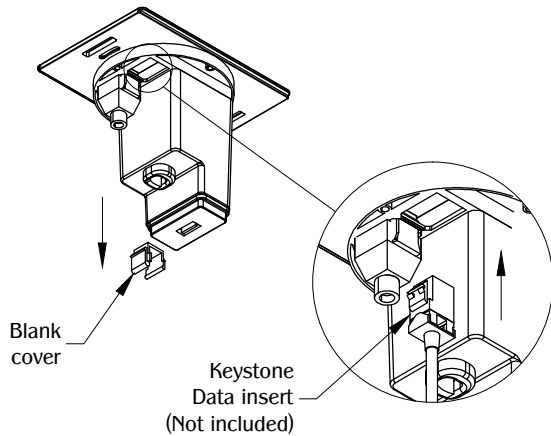


NOTE:

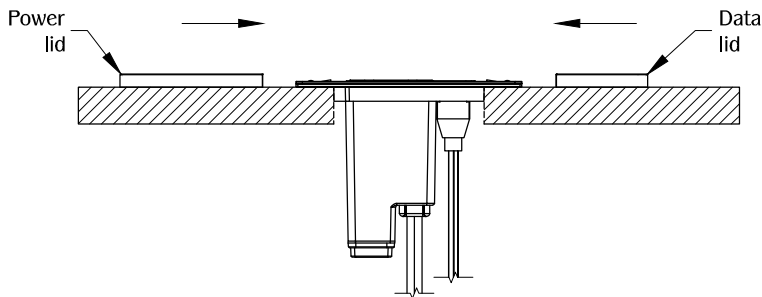
- 6 ft. Power cord.
- USB-A ports are for charging use **ONLY**.
- Table thickness is 12.00mm (1/2") MIN.

2



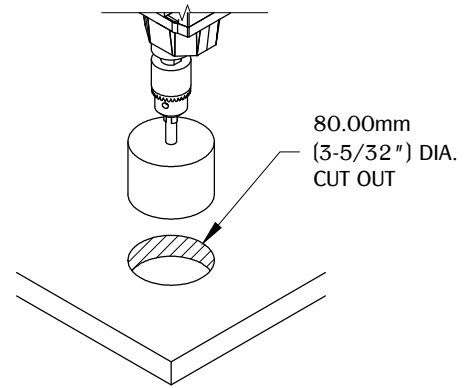
Remove the blank cover from the bezel. Assemble the keystone data. Align and install keystone data insert back into the unit. (Note: Use Keystone compatible data insert **ONLY**.)

4



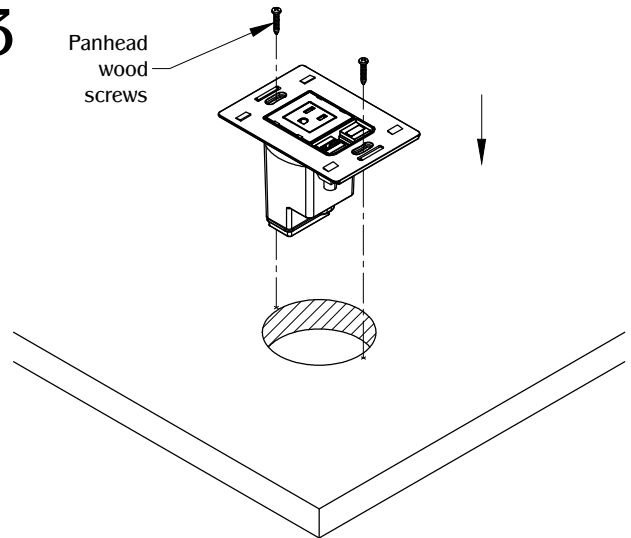
Slide lids into unit until they lock into place.

1



Determine the position and location of the unit on the work surface. Place and allow enough clearance for unit operation. **DO NOT** place unit where the cable is strained or trapped. Cut the hole at 80.00mm (3-5/32") DIA.

3



Guide the power cord through the cut out. Install the unit into the cut out and make sure it is fully leveled onto the surface. Use (2) screws to secure unit onto work surface.

TABLE OF CONTENTS:

|  |       |                             |
|--|-------|-----------------------------|
|  | ..... | 1X PCS104                   |
|  | ..... | 1X Power lid                |
|  | ..... | 1X Data lid                 |
|  | ..... | 2X 1/2" Panhead wood screws |