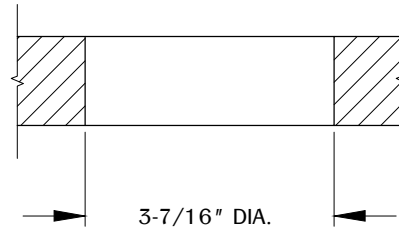


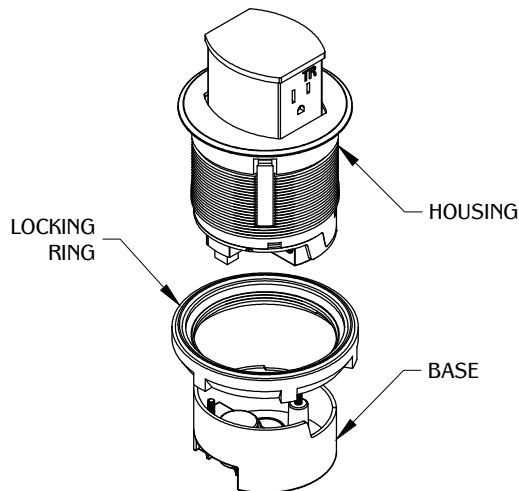
NOTICE:
For installation by a qualified electrician in accordance with national and local electrical code and the following instructions.

1



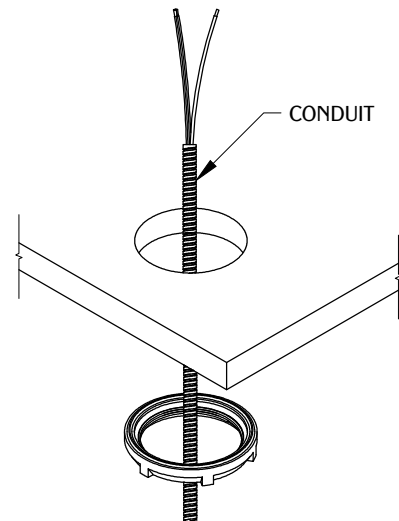
Determine your mounting location and cut your hole at 3-7/16" DIA. Make sure the surface is clean and level for the gasket to seal.

2



Remove the locking ring from the housing by turning counter-clockwise. Detach base from housing by loosening the two screws located on the bottom of the base.

3



Feed the conduit through the locking ring under the work surface and then through the bottom of the cut out (conduit not included). CAUTION: Before handling the conduit, make sure the circuit is OFF.

MAINTENANCE AND CARE:

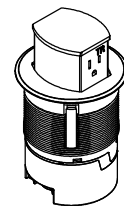
1. Ensure unit is disconnected prior to cleaning.
2. Clean the unit with a damp cloth and dry immediately.
3. Do not use harsh chemical solvents.



WARNING

- For indoor use only.
- If any malfunction occurs, do not attempt to repair.
- Do not insert foreign objects into power outlets.
- Risk of electric shock. Feed into GFCI circuit only.

TABLE OF CONTENTS:

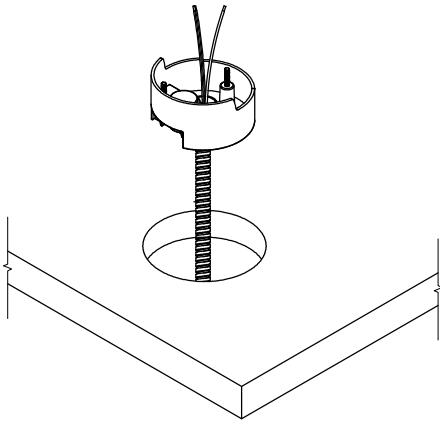


..... 1 X PCS103A



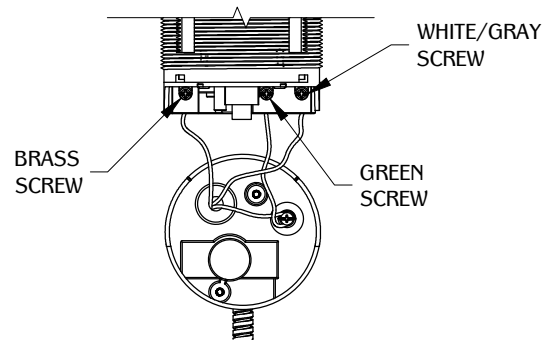
..... 1 X LOCKING RING

4



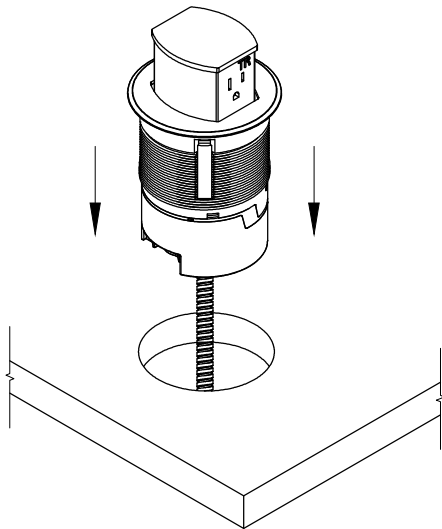
Remove the 1/2" knockout opening located on the bottom of the base. Attach the conduit to the base of the unit. A fitting may be required (not included).

5



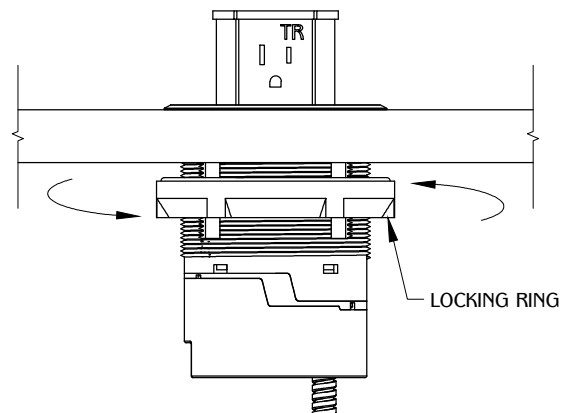
Ground the base by bonding the green or bare wire to the grounding screw on the base. Attach conductors to the housing by connecting the green or bare wire to the green screw, the white or gray wire to the white screw, and the black or red wire to the brass screw marked "HOT".

6



Reattach the base to the housing and secure with provided screws. Install the unit into the cut out and make sure it is fully level and flush with the work surface.

7



Screw locking ring onto the unit by turning clockwise from underneath the work surface. Locking ring should rotate smoothly once properly engaged. If not, the locking ring may be cross-threaded - undo and try again.