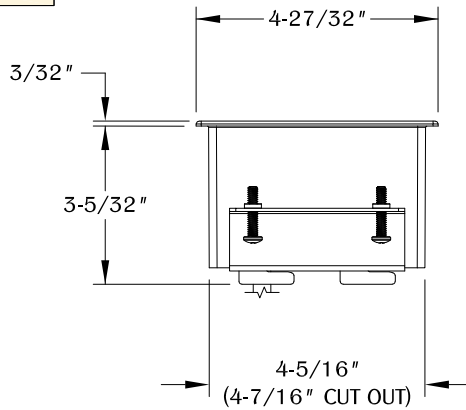
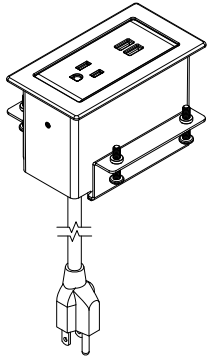


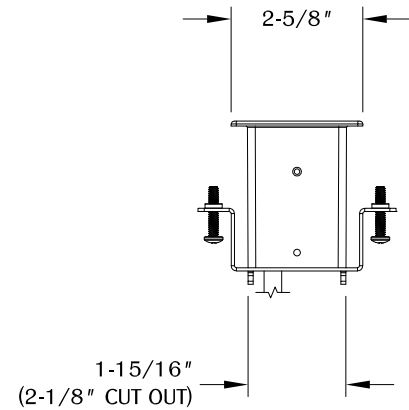
PART #

PCS100A

310.318.2491 • 800.523.1269 • www.mockett.com



FRONT VIEW

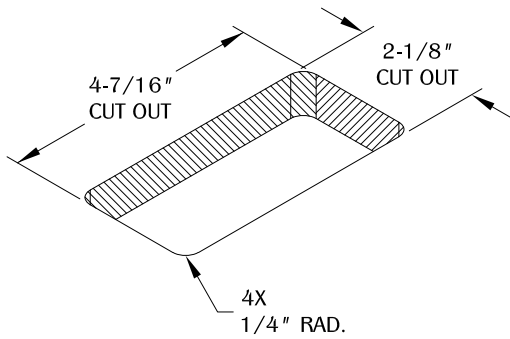


SIDE VIEW

NOTE:

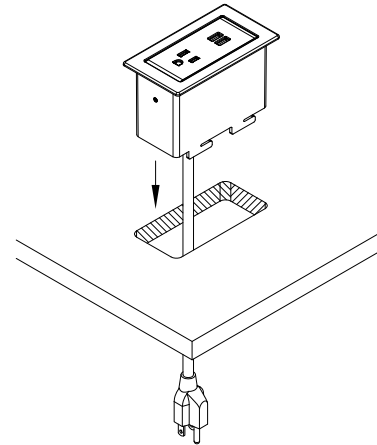
- 6 ft. cord.
- USB ports are for charging use ONLY.
- Table thickness is 3/4" MIN. to 1-1/2" MAX.

1



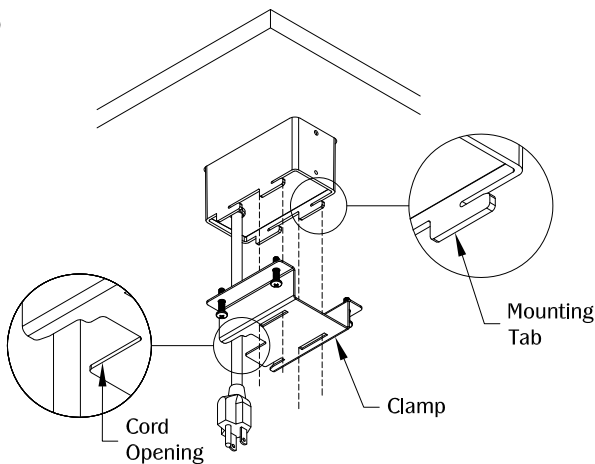
Make a cut out in the desired location on your work surface. Allow enough clearance for unit operation. DO NOT place unit where cable is strained or trapped. (Note: Cut out corners must contain 1/4" radius.)

2



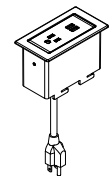



Guide the cord through the cut out. Install the unit into the cut out and make sure it is fully level on the work surface.

3

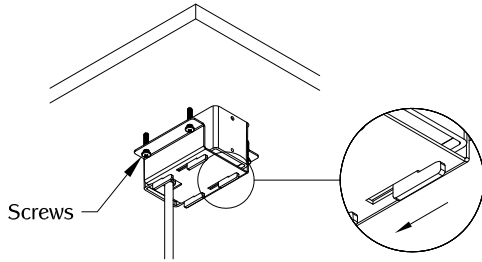


Loosen the clamp screws. Align the cord opening of the clamp to the bottom mounting tabs. (Note: Mounting tabs must point up when installing vertically.)

TABLE OF CONTENTS:

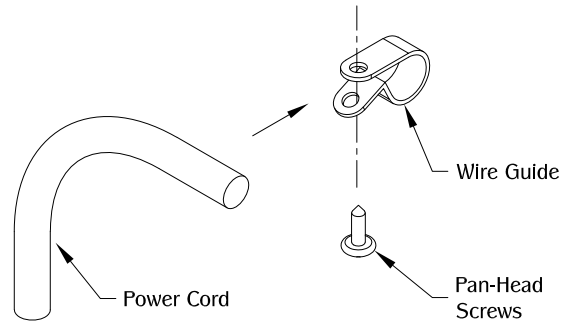
	1X PCS100A
	1X Clamp
	2X Wire Guides
	2X 1/2" #10 Pan-Head Wood Screws

4



Lock the clamp by sliding to the edge of the mounting tab. Secure the unit by tightening the (4) screws. Plug the unit into nearby outlet and unit is ready for use.

5 (OPTIONAL)



Place the cord in the wire manager. Align the screw with the mounting holes to lock the cord in place under the work surface. Repeat step for second wire guide.