

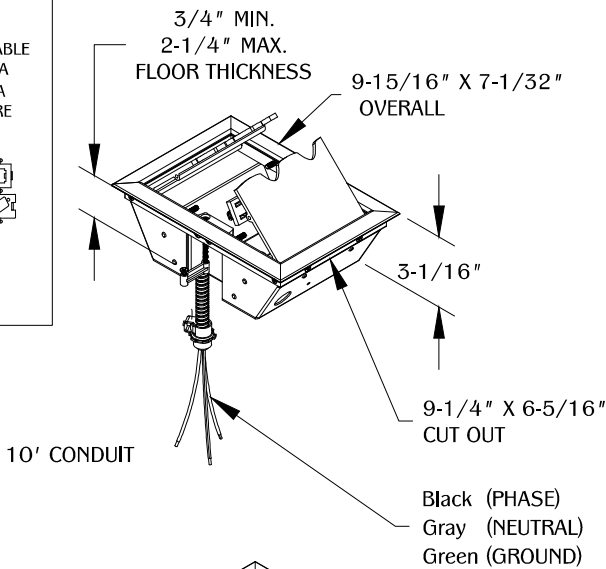
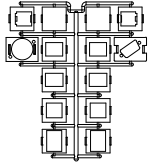
PART #

PCS/FG1

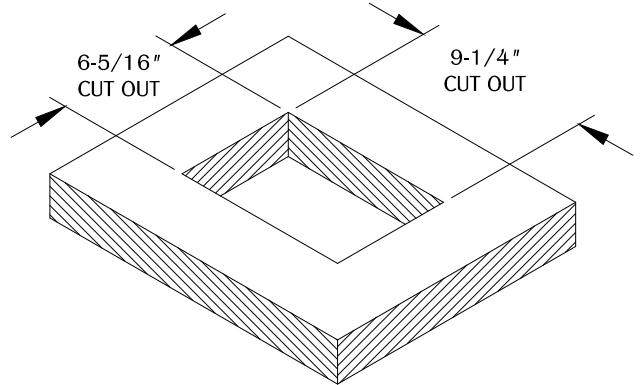
310.318.2491 • 800.523.1269 • www.mockett.com

NOTE:

PLEASE USE APPLICABLE ADAPTER FROM DATA TREE. (SEE PCS DATA TREE PAGE FOR MORE INFORMATION.)

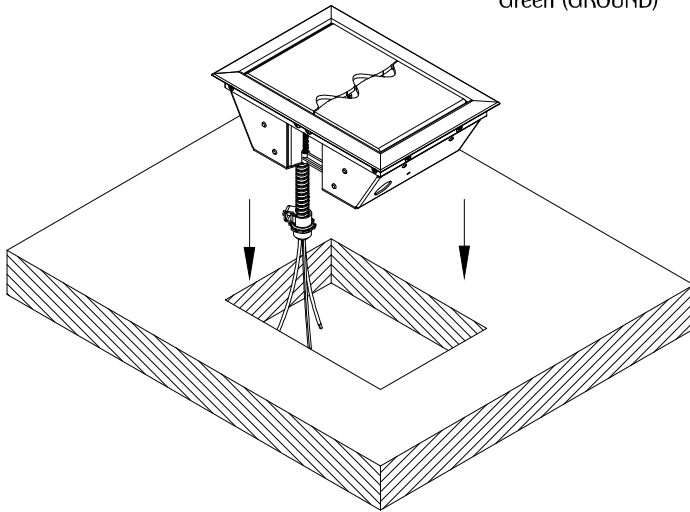


1



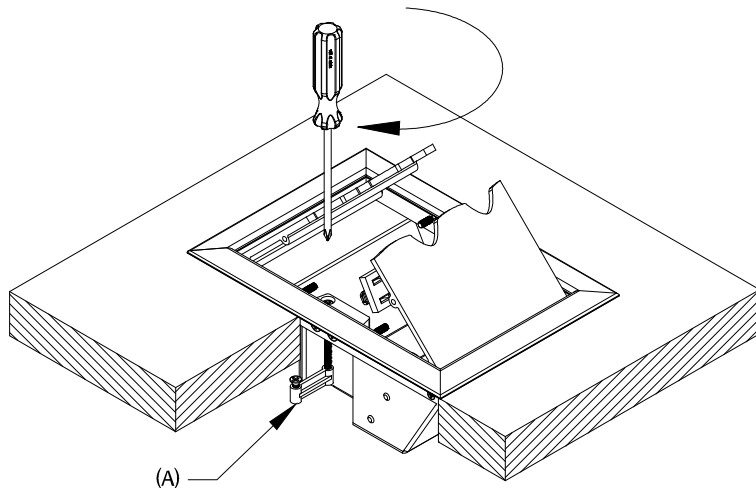
Unit requires a 3-1/2" clearance under the floor. Floor thickness needs to be between 3/4" to max. 2-1/4" (including flooring and carpet). Cut a 9-1/4" x 6-5/16" hole.

2



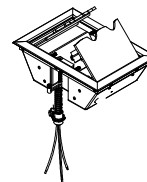
Connect the cables to PCS/FG1 conduit.

3



Insert Unit, Extend wing-clamps (A) all the way out. Tighten with screwdriver from top until secure to floor. Note: do not overtighten.

TABLE OF CONTENTS:

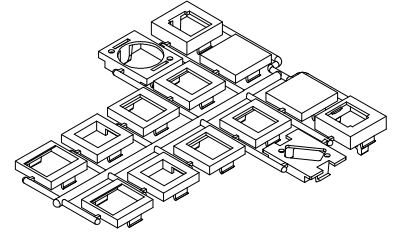


.....1 X PCS/FG1



..... OPTIONAL UPTO 2 DATA PORTS

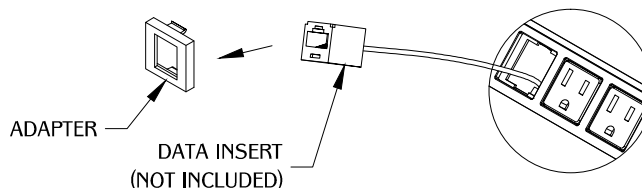
- 1.) Select the appropriate adapter from the chart below. (example: Panduit Mini-Com Series jack would use "FF" adapter marked on back of adapter.)



* Jacks, not included, UL Listed (DUXR) or Recognized (DUXR2) jacks required.

Adapter	Manufacturer	Website
AA	Systimax/CommScope	www.Commscope.com/Systimax
AA	Uniprise/CommScope	www.Commscope.com/Systimax
BB	L-Com Keystone Modular	www.L-Com.com
BB	Tyco SL and 110 Connect Series Modular Jacks	www.Ampconnect.com
BB	Siemon Keystone Style	www.Siemon.com
BB	Allen Tel Versa Tap Series	www.Allentel.com
BB	Leviton Quick Port ® Series	www.Leviton.com
BB	Nordx Keystone Style	www.Nordx.com
CC	Tyco SL Coupler Series	www.Ampconnect.com
CC	Krone 6000 Series/ADC	www.Adc.com
CC	Hubble Xcelerator™ Keystone Series	www.Hubbell.com
DD	Blank	-
EE	Ortronics TracJack Series	www.Ortronics.com
FF	Panduit Mini-Com Series	www.Panduit.com
GG	Microphone Jack/3-pin XLR, solder style only	www.Byrne-Electrical.com
HH	Video Monitor Jack/DB-15, panel mount solder style	www.Byrne-Electrical.com

- 2.) Snap Jack into adapter following the instructions provided with the jack.
- 3.) Once assembled, snap adapter into the notched, square holes in the orientation shown.



NOTE: Please verify fit of jack in adapter before ordering large quantities as manufacturer designs may change without notice.