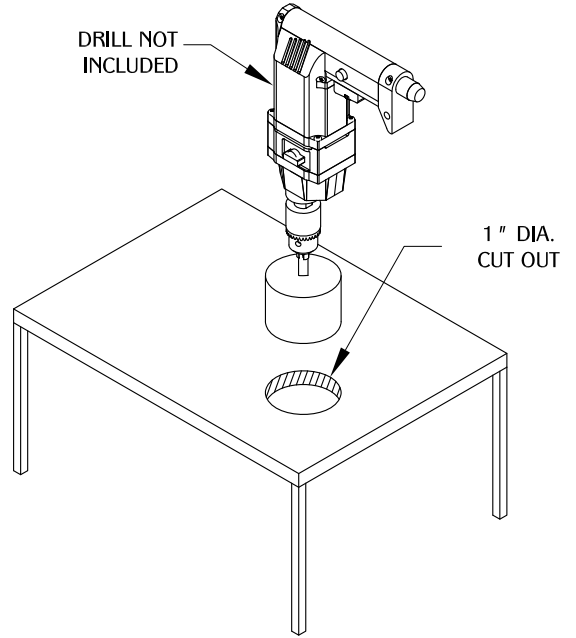


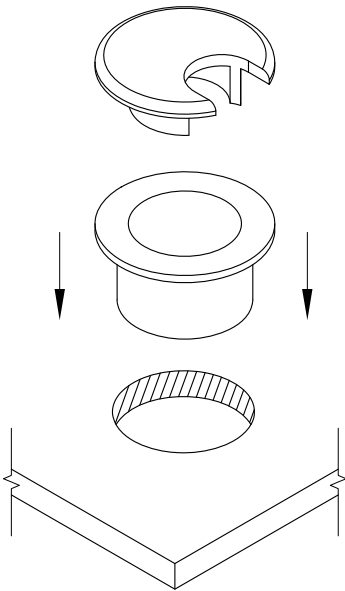
1

DRILL NOT INCLUDED



1" DIA. CUT OUT

2



3

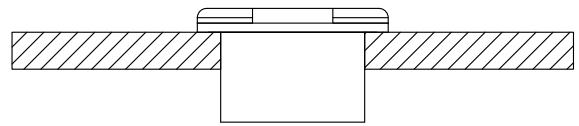
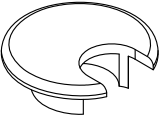
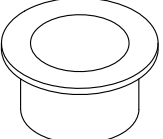


TABLE OF CONTENTS:

 1 X OG2
 1 X OG1

* ALL DIMENSIONS HAVE A +/- 1/32" TOLERANCE UNLESS OTHERWISE SPECIFIED. WE DO NOT RECOMMEND DRILLING OR CUTTING ANY HOLES BEFORE RECEIVING A PRODUCT OR A PRODUCT SAMPLE. ALL MEASUREMENTS ARE IN INCHES.