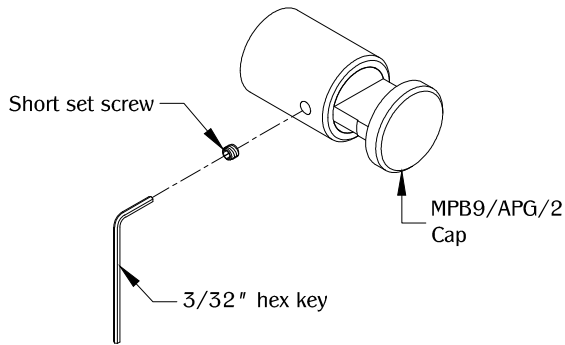
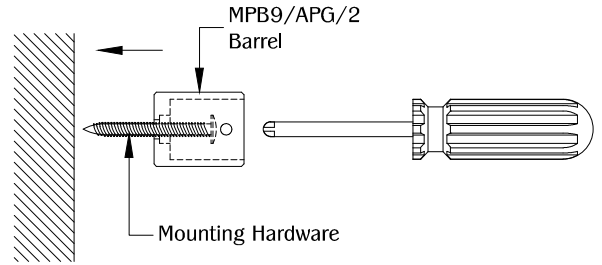


2



Carefully slide the cap to the barrel. Use the short set screw to secure the cap. Give the cap some room to accommodate the material.

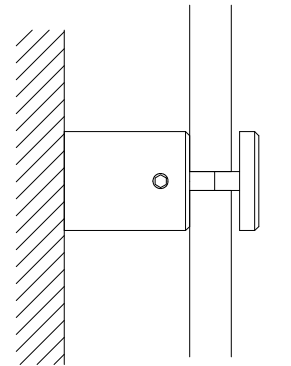
1



Note: Recommend to mount into wall studs.

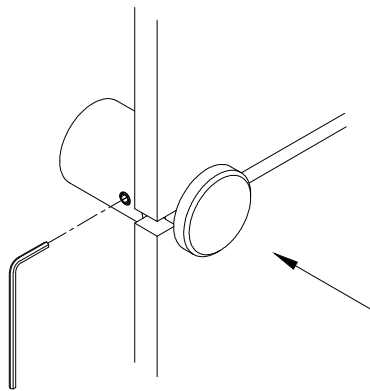
Mount the MPB9/APG/2 barrel to the desired surface. Make sure the set screw threaded hole can be easily accessed. (Note: Use the material being suspended as a guide to determine exact locations of the barrel for mounting.)

3



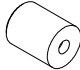




Insert your material (glass/display panel/etc) into the MPB9/APG/2 Cap opening.

4



Use the hex key again to adjust and tighten the cap and material with the short set screw. (Note: Check tightness of screws periodically over time to ensure barrels are securely tightened.)

TABLE OF CONTENTS:

1 X MPB9/APG/2 Barrel
1 X MPB9/APG/2 Cap
1 X Short set screw
1 X Hex Key
1 X Wood Screw