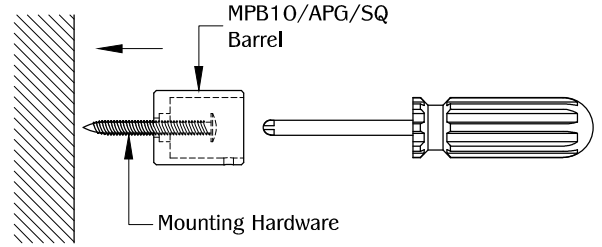


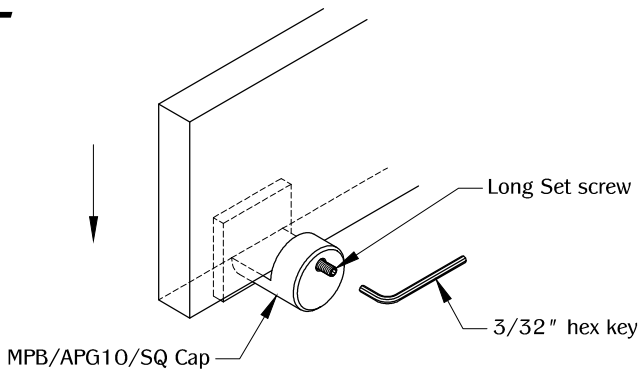
1



Note: Recommend to mount into wall studs.

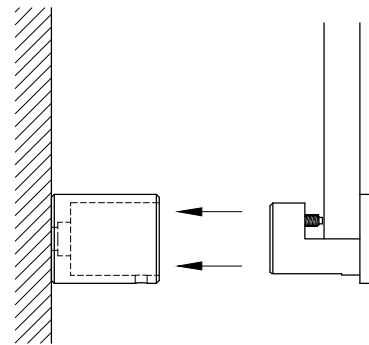
Mount the MPB10/APG/SQ barrel to the desired surface. Repeat for all corners. (Note: Use the material being suspended as a guide to determine exact locations of the barrel for mounting.)

2



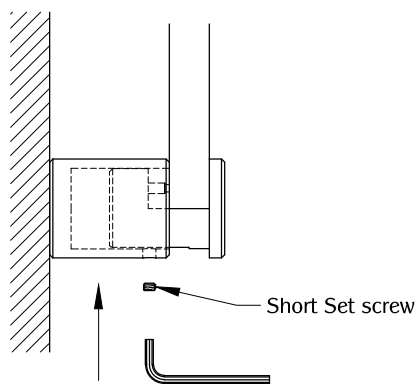
Insert your material (glass/display panel/etc) into the MPB10/APG/SQ Cap opening. Use a 3/32" hex key to tighten the long set screw from behind against the surface of the material.

3



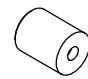
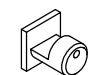


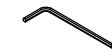

Carefully slide the assembled cap to the barrel.

4



Use the hex key again to secure the cap and barrel with the short set screw. (Note: Check tightness of screws periodically over time to ensure barrels are securely tightened.)

TABLE OF CONTENTS:

1 X MPB10/APG/SQ Barrel
1 X MPB10/APG/SQ Cap
1 X Long set screw
1 X Short set screw
1 X Hex Key
1 X Wood Screw