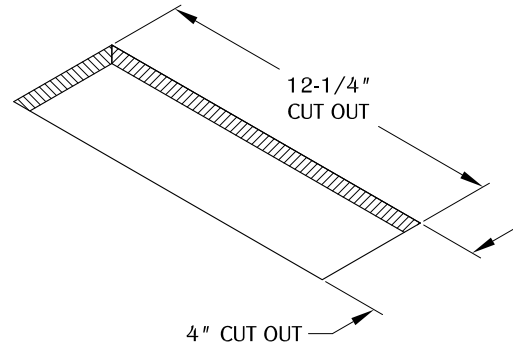
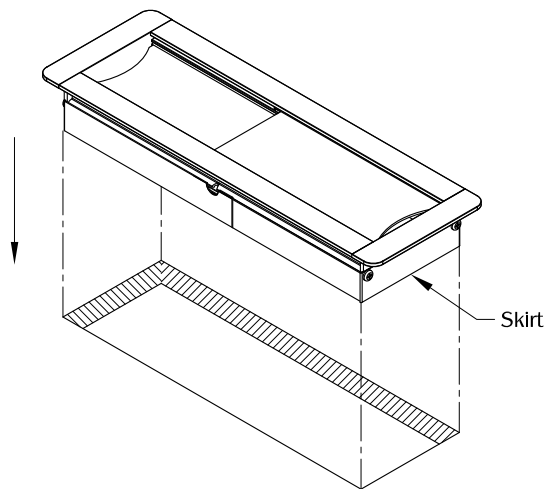


1



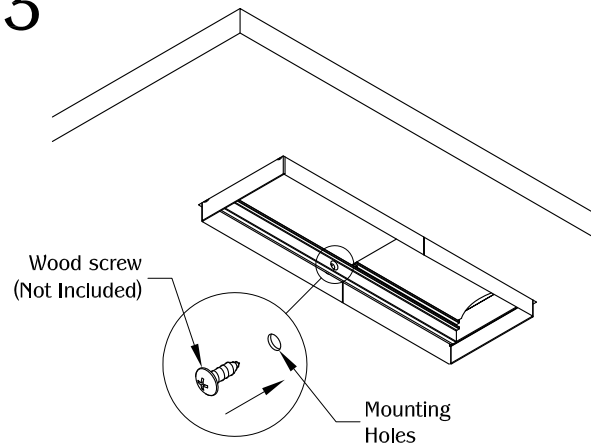
Determine the position and location of the unit on the work surface. Cut the hole at 12-1/4" X 4".

2



Install MAX9 into the cut out and be sure it is fully level on the surface. (Optional: Skirt can be removed for table thickness less than 1/2" .)

3



Use (2) wood screws through the mounting holes to secure on to the table top.