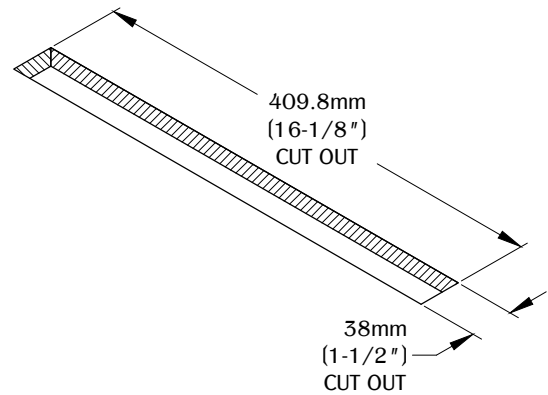


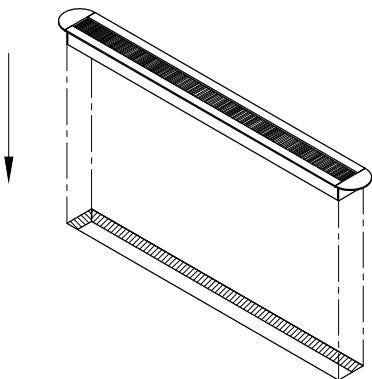
RIGHT VIEW

1



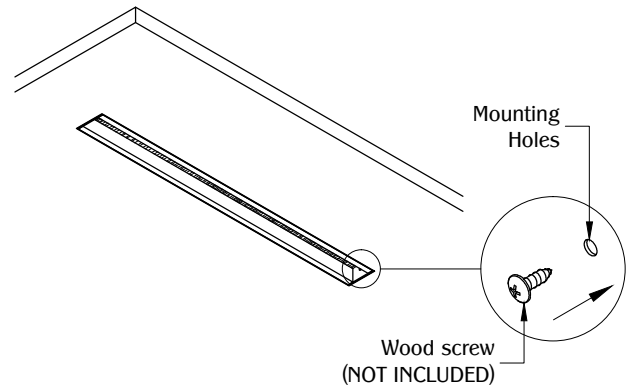
Determine the position and location of the unit on the work surface. Cut the hole at 409.8mm X 38mm (16-1/8" X 1-1/2").

2



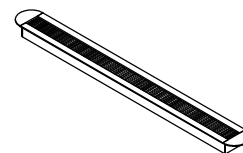
Install MAX6 into the cut out and be sure it is fully level on the surface.

3



Use (2) wood screws through the mounting holes to secure on to the table top.

TABLE OF CONTENTS:



.....1 X MAX6