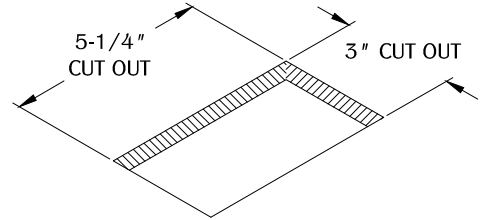
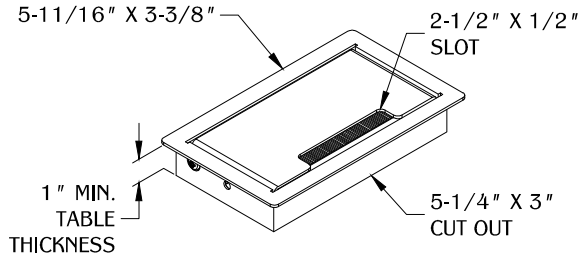
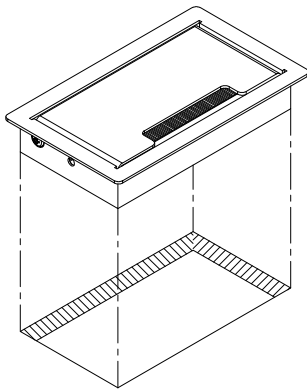


1



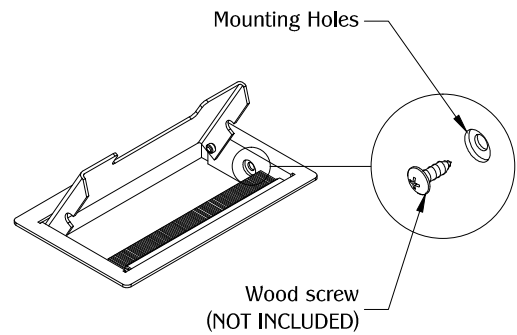
Make a cut out in the desired surface. (Note: Maximum corner radius 1/8".)

2



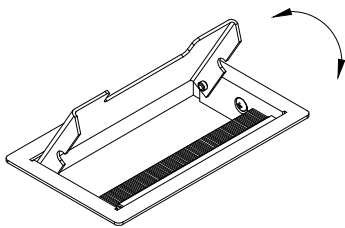
Install MAX5 into the cut out and be sure it is fully leveled onto worksurface.

3



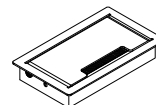
Use (2) Wood screws through the MAX5 mounting holes to secure on to the table top.

4



Ensure lid pivots freely through the entire motion.

TABLE OF CONTENTS:



.....1 X MAX5