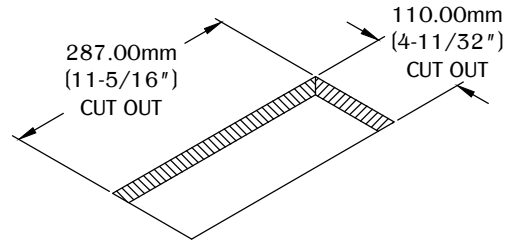
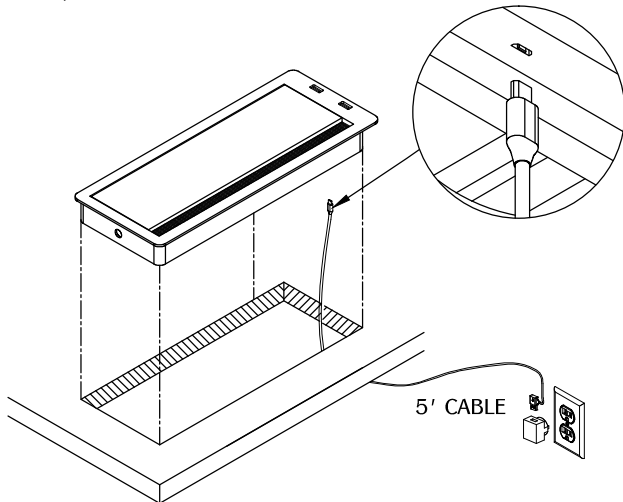


1

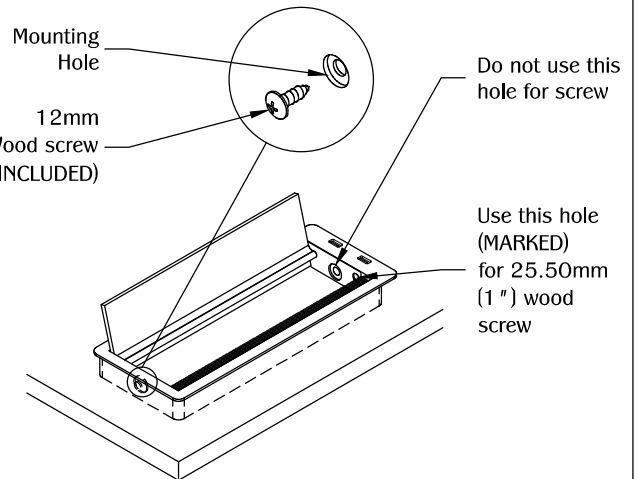


Make a cut out in the desired surface. (Note: Maximum corner radius 1/8".)

2



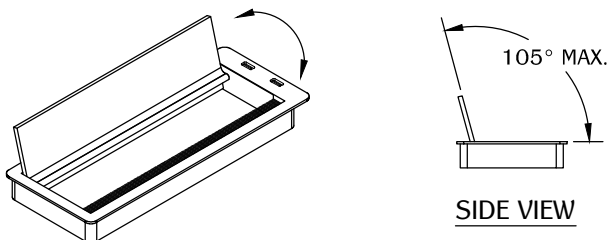
3



Connect the micro USB end of the cable to the bottom of the unit and guide the cable through the cut out toward the power outlet, Install MAX15 into the cut out and be sure it is fully leveled onto work surface. Do not place grommet where cable is strained or trapped.

Use (1) Wood screw through the MAX15 mounting hole to secure on to the table top.

4



Ensure lid pivots freely through the entire motion.

TABLE OF CONTENTS:

1 X MAX15
1 X POWER ADAPTOR
	INPUT: 100-240V
	OUTPUT: 5V - 2A
1 X 5' USB TO MICRO USB CABLE
1 X 12.00mm (1/2") WOOD SCREW
1 X 25.50mm (1") WOOD SCREW