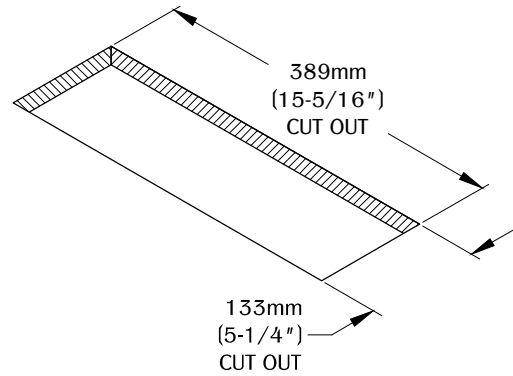
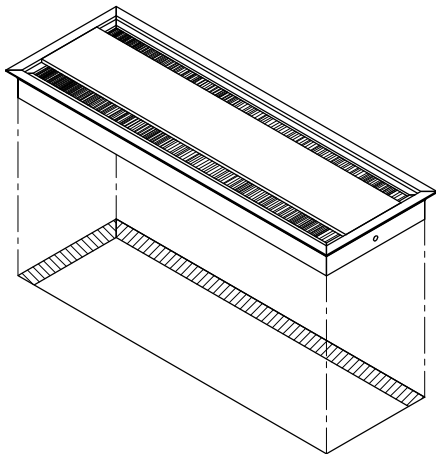


1



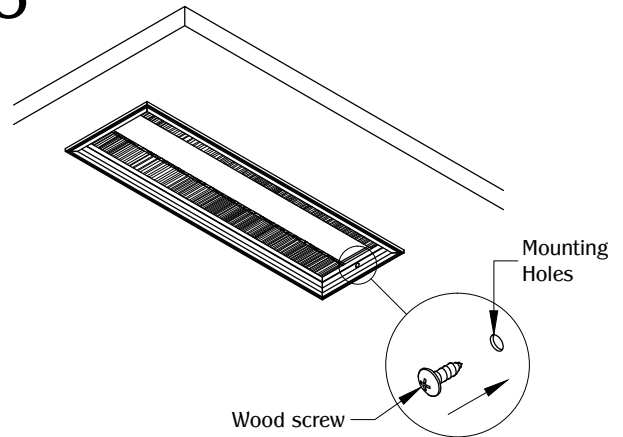
Determine the position and location of the unit on the work surface. Cut the hole at 389mm X 133mm (15-5/16" X 5-1/4").

2



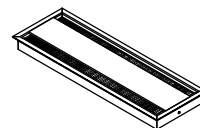
Install MAX14 into the cut out and be sure it is fully level on the surface.

3



Use (2) wood screws (included) through the mounting holes to secure on to the table top.

TABLE OF CONTENTS:



.....1 X MAX14



.....2 X Wood Screws