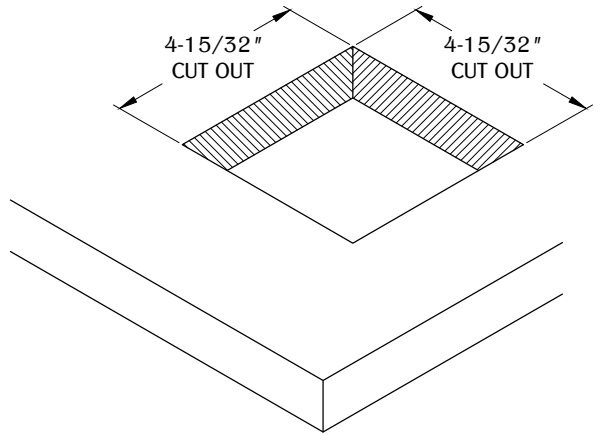
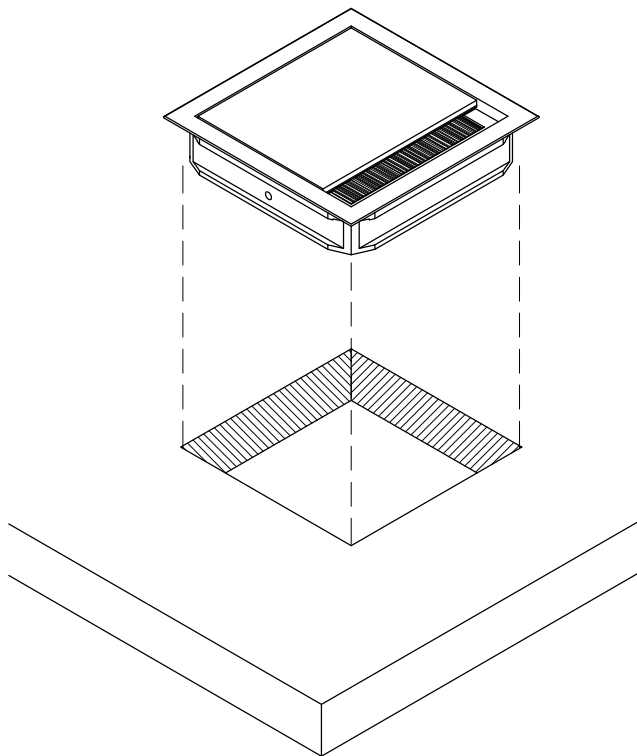


1



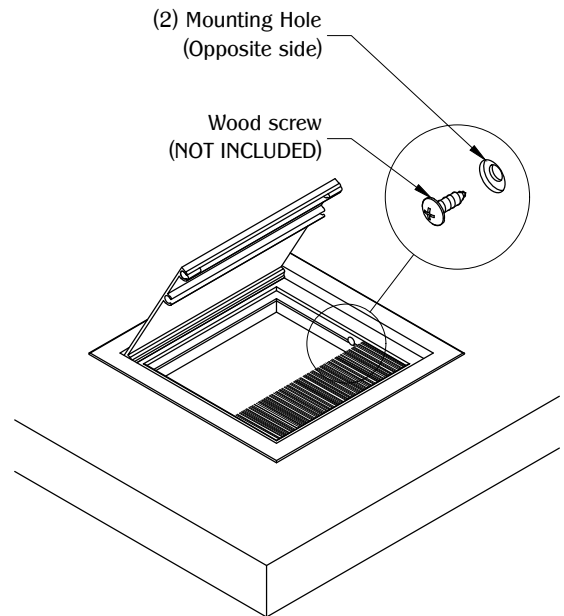
Make a cut out on the desired surface.

2



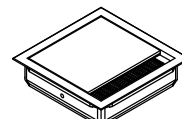
Install MAX12/A into the cut out and be sure it is fully leveled onto worksurface.

3



Use (2) Wood screws through the MAX12/A mounting holes to secure on to the table top.

TABLE OF CONTENTS:



..... 1x MAX12/A