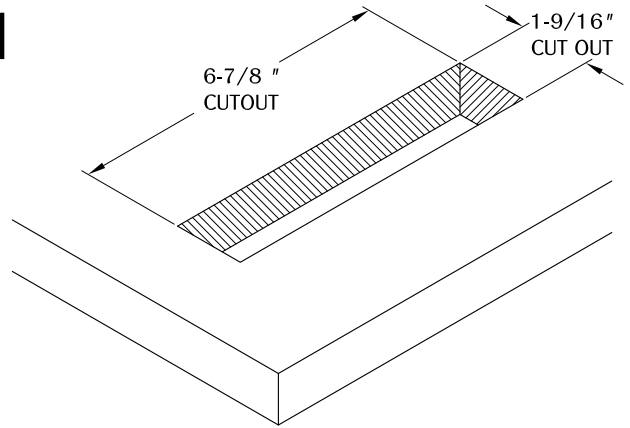
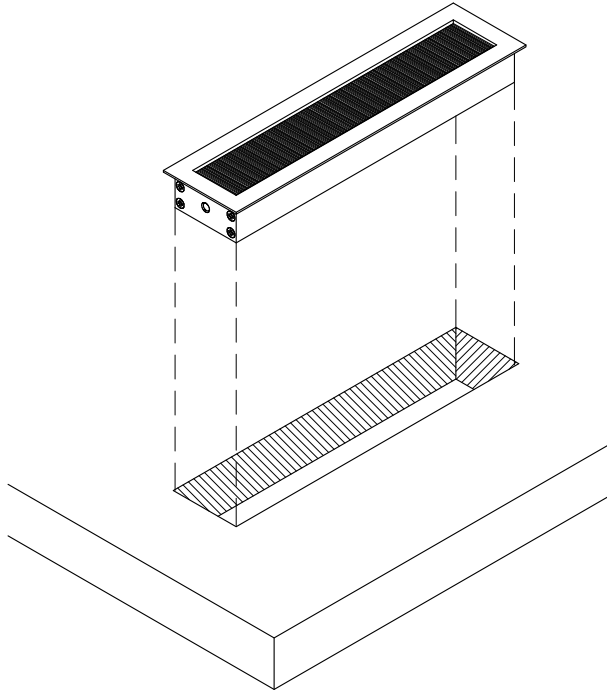


1



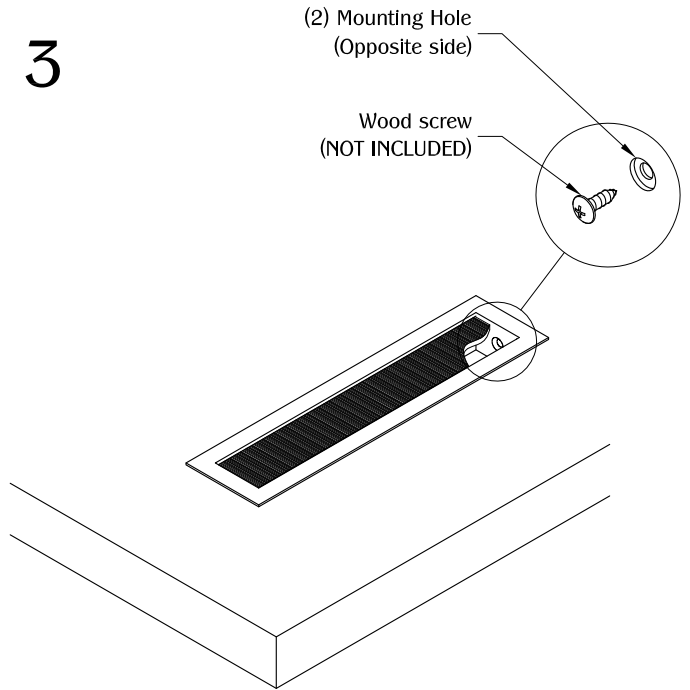
Make a cut out on the desired surface. (Note: Maximum corner radius 1/8".)

2



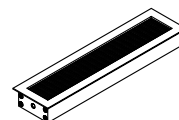
Install MAX11B into the cut out and be sure it is fully leveled onto work surface.

3



Use (2) Wood screws through the MAX11B mounting holes to secure on to the table top.

TABLE OF CONTENTS:



..... MAX11B (1x)