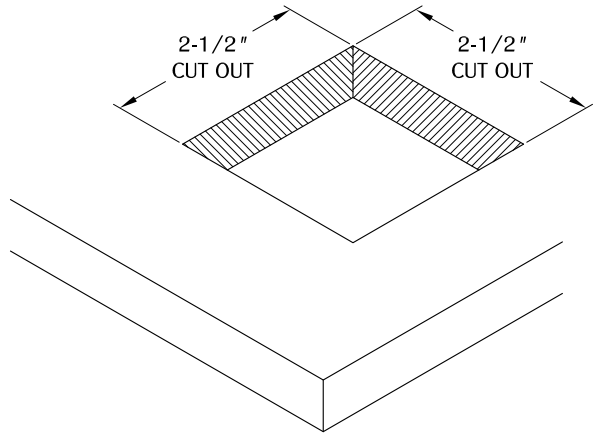
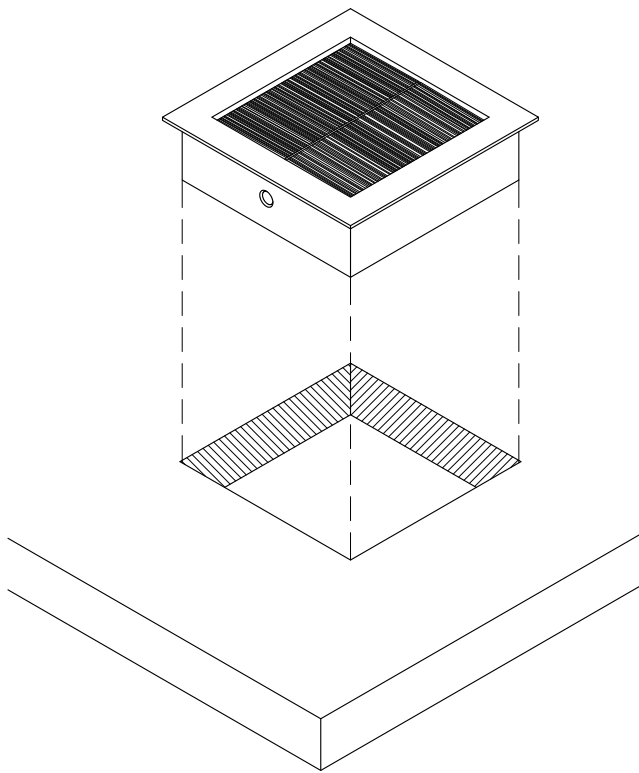


1



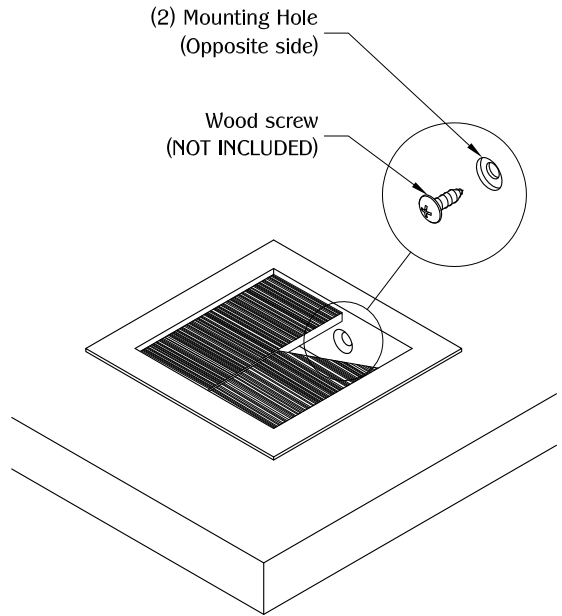
Make a cut out on the desired surface. (Note: Maximum corner radius 1/8".)

2



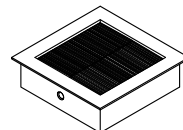
Install MAX11A into the cut out and be sure it is fully leveled onto worksurface.

3



Use (2) Wood screws through the MAX11A mounting holes to secure on to the table top.

TABLE OF CONTENTS:



..... MAX11A (1x)