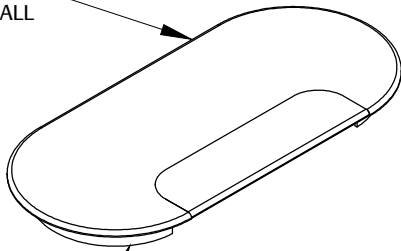


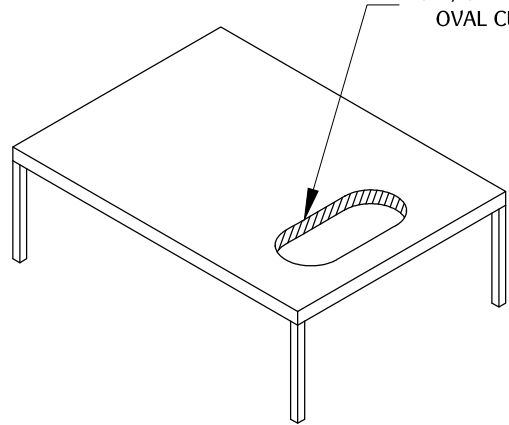
6-1/2" X 3"
OVERALL



5-7/8" X 2-3/8"
OVAL CUT OUT

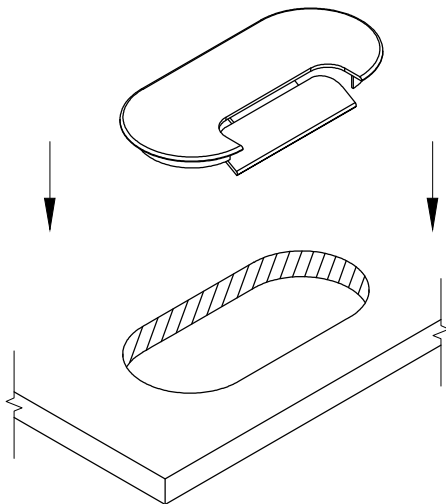
1

5-7/8" X 2-3/8"
OVAL CUT OUT



Make a cut out on the desired surface. (Note: We do not recommend cutting before receiving part or part sample.)

2



3

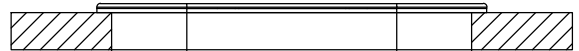
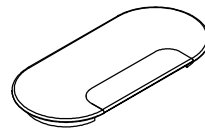


TABLE OF CONTENTS:



..... 1x L02