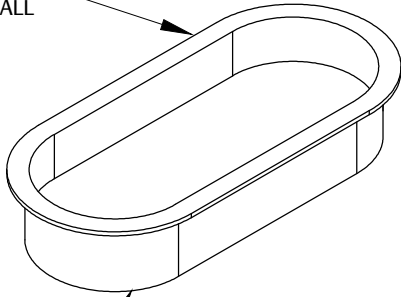
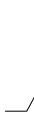


6-1/2" X 3"
OVERALL

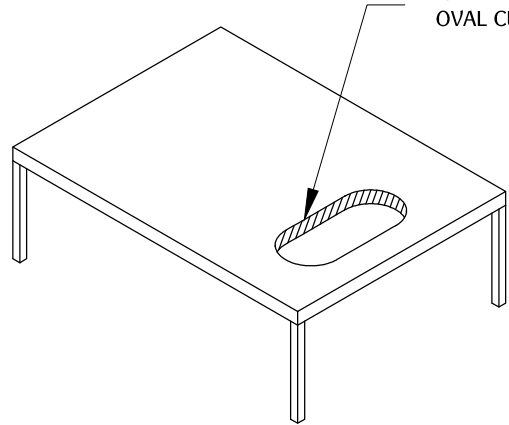


6" X 2-1/2"
OVAL CUT OUT



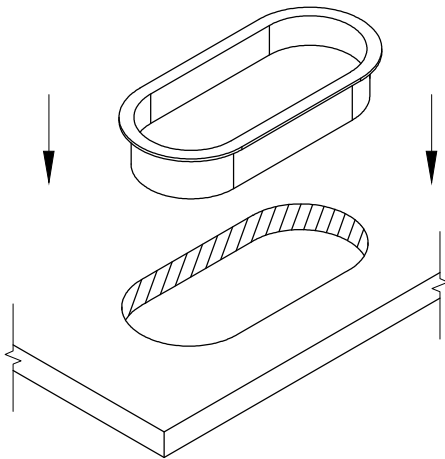
1

6" X 2-1/2"
OVAL CUT OUT



Make a cut out on the desired surface. (Note: We do not recommend cutting before receiving part or part sample.)

2



3

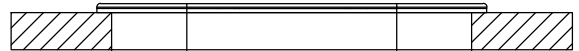
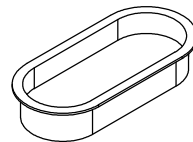


TABLE OF CONTENTS:



..... 1x L01A