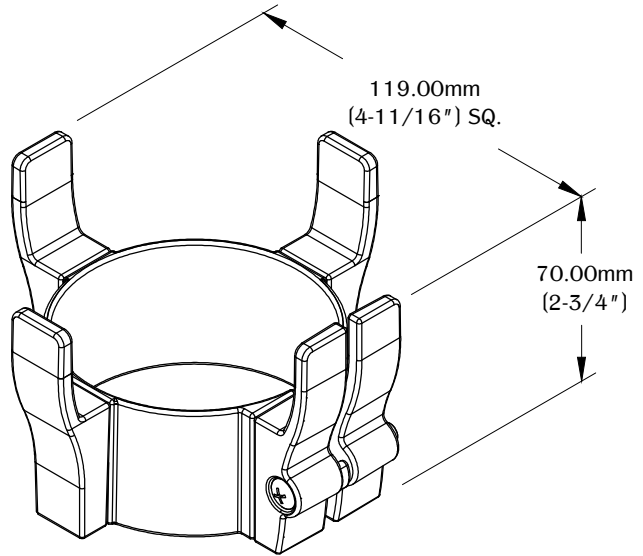
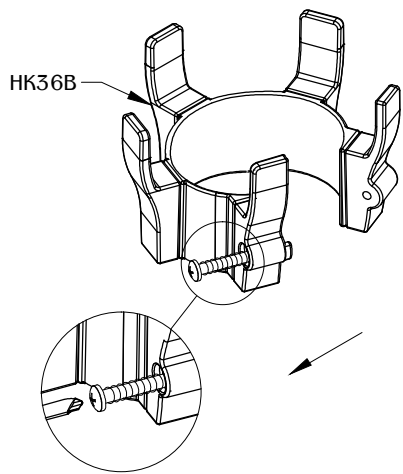


NOTE:

- 76.00mm DIA. (3") Leg thickness Only.
- Weight capacity: 25 lbs. MAX.

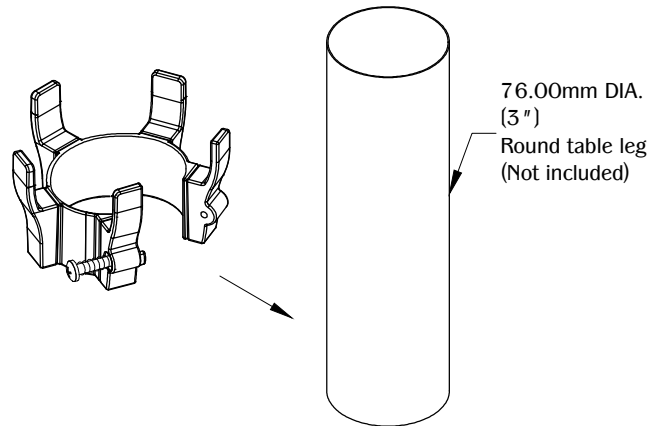


1



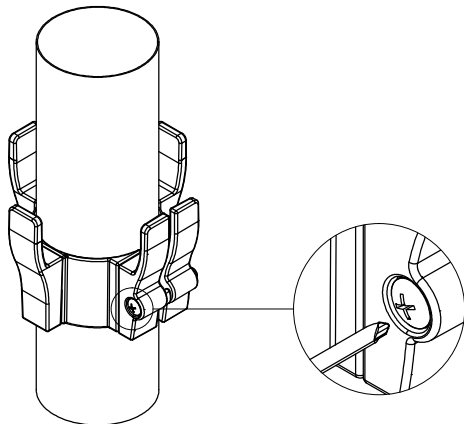
Loosen screw and pull apart.

2



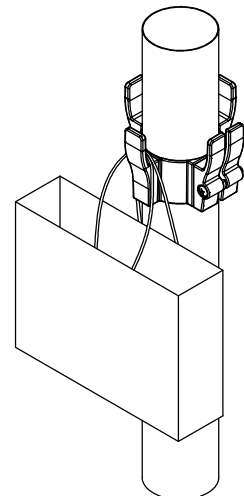
Attach HK36B onto round table leg.

3



Tighten screw to secure HK36B
onto round table leg.

4



Part is ready for use.