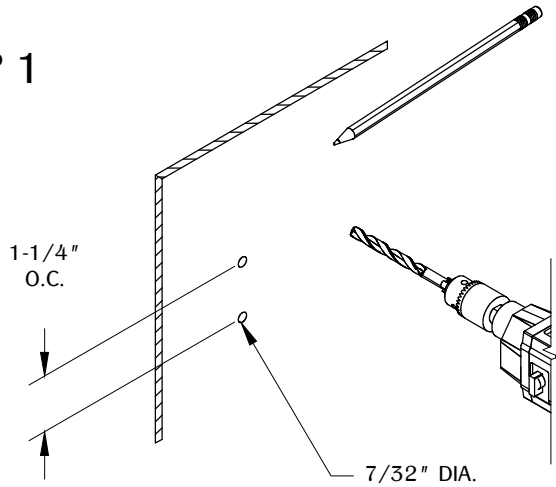
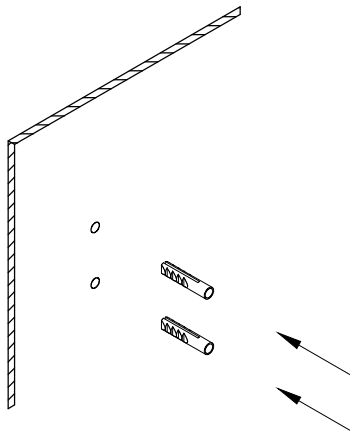


STEP 1



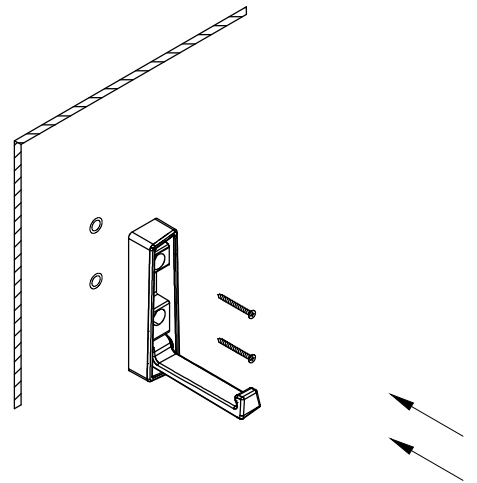
MARK YOUR POSITIONS FOR DRILLING.

STEP 2



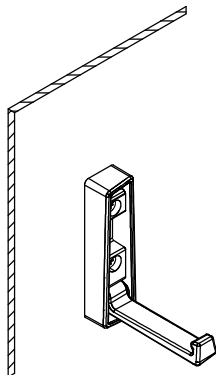
INSERT PLASTIC WALL ANCHORS.

STEP 3



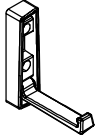


SECURE PART INTO PLACE BY INSERTING SCREWS.

STEP 4



WEIGHT CAPACITY: 20 lbs.

TABLE OF CONTENTS:

	1x HK35
	2x PLASTIC ANCHOR
	2x WOOD SCREW