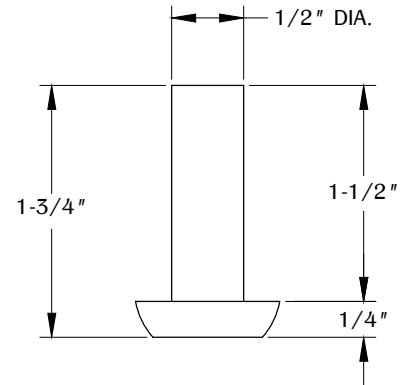
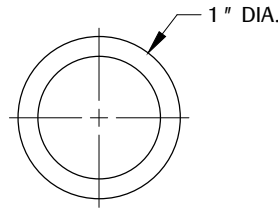
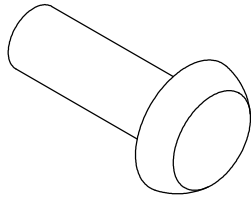


PART #

HK28

310.318.2491 • 800.523.1269 • www.mockett.com



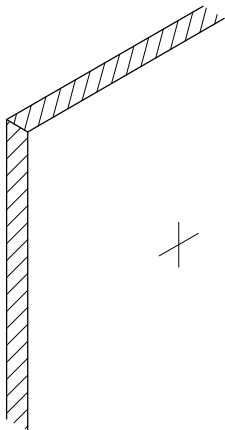
NOTE:

- Weight capacity is 20 lbs.

FRONT VIEW

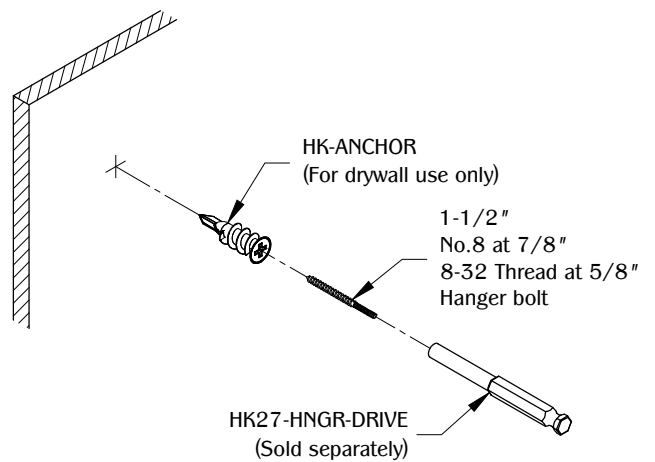
TOP VIEW

1



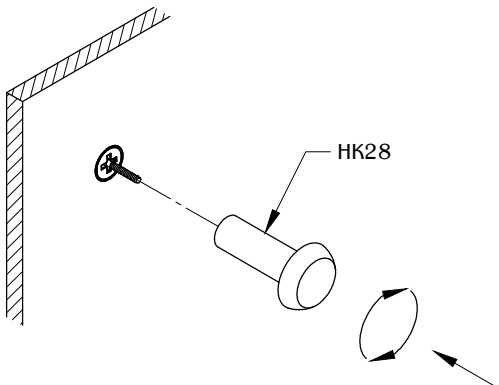
Determine the position and location of the part on the work surface. Mark the mounting position for the mounting hardware.

2



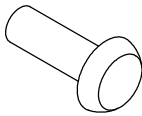


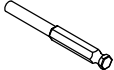
Install the 1-1/2" No.8 at 7/8" 8-32 Thread at 5/8" Hanger bolt to the marked mounting position.

3



Install the HK28 into the hanger bolt and turn clockwise until the part is secure. Make sure the part is fully leveled onto the work surface.

TABLE OF CONTENTS:

 1X HK28
 1X HK-ANCHOR
 1X 1-1/2" No.8 at 7/8" 8-32 Thread at 5/8" Hanger bolt
 1X HK27-HNGR-DRIVE (Sold separately)