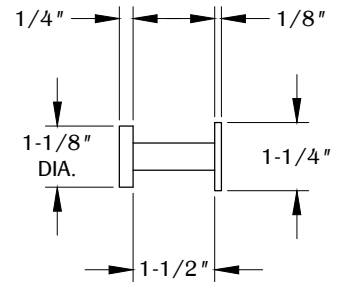
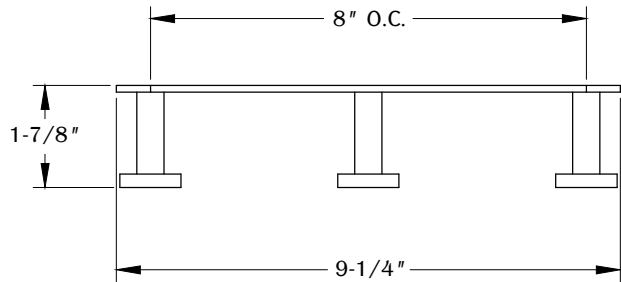
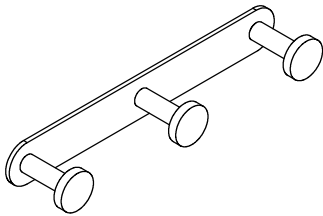


PART #

HK27K-B

310.318.2491 • 800.523.1269 • www.mockett.com

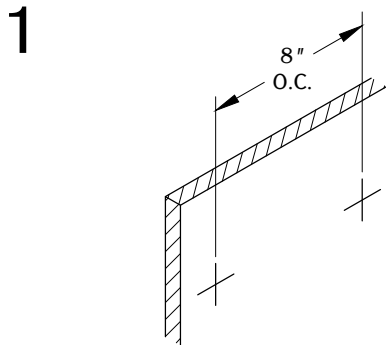


**NOTE:**

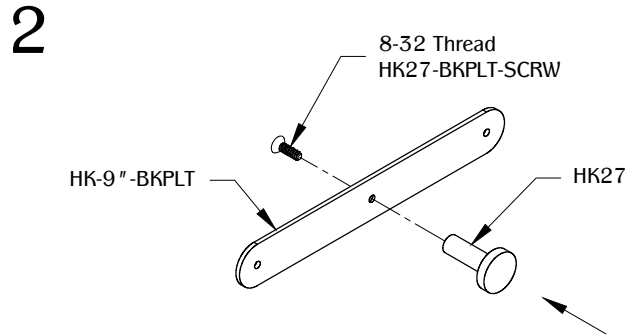
- Weight capacity is 20 lbs.
- Extra hardware provided not necessary for installation.

TOP VIEW

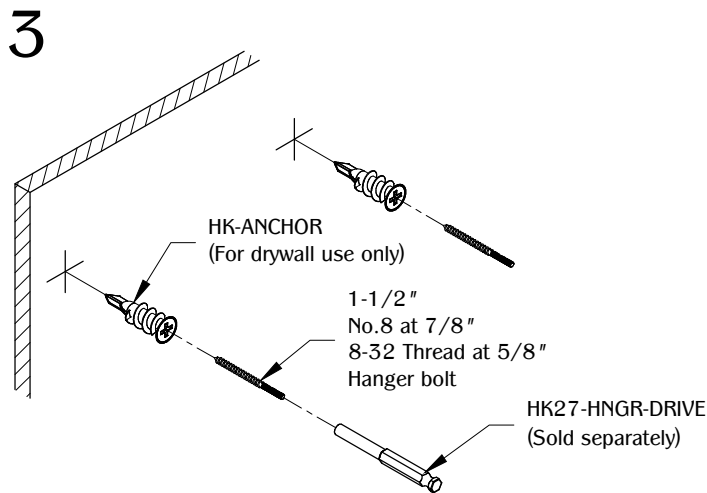
RIGHT VIEW



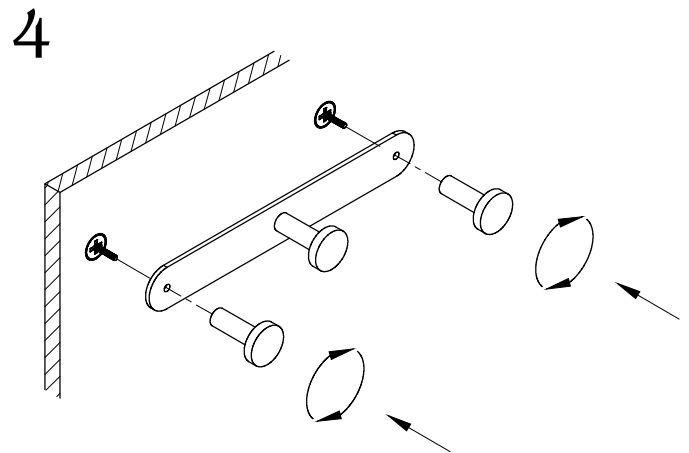
Determine the position and location of the part on the work surface. Mark the mounting position for the mounting hardware.



Assemble the HK27 on the center of the HK-9"-BKPLT with the 8-32 thread HK27-BKPLT-SCRW.

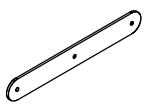


Install the 1-1/2" No.8 at 7/8" 8-32 Thread at 5/8" Hanger bolt to the marked mounting positions.



Install the assembled HK-9"-BKPLT to the hanger bolt. Secure by installing the (2) HK27 on both sides.

TABLE OF CONTENTS:



..... 1X HK-9"-BKPLT



..... 1X 1/4" 8-32 Thread  
HK27-BKPLT-SCRW



..... 1X HK27-HNGR-DRIVE  
(Sold separately)



..... 3X HK27



..... 3X HK-ANCHOR



..... 3X 1-1/2"  
No.8 at 7/8"  
8-32 Thread at 5/8"  
Hanger bolt