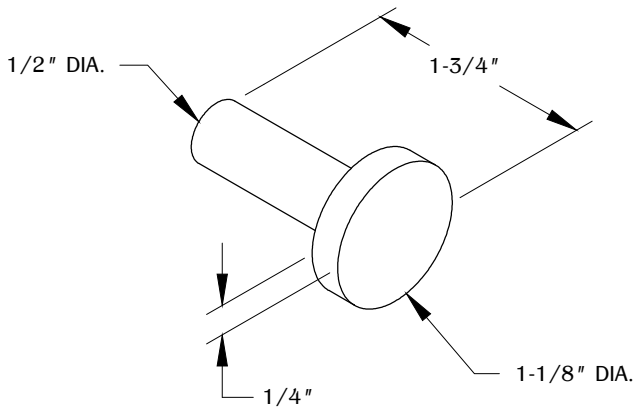
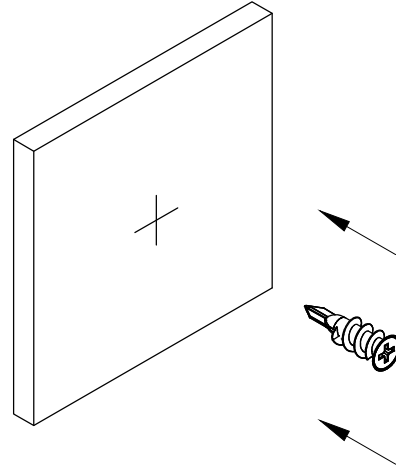


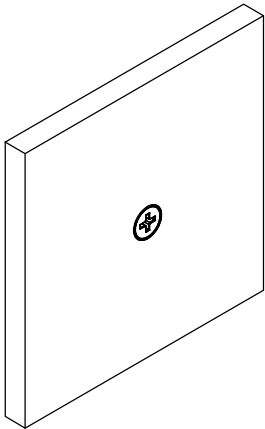
1



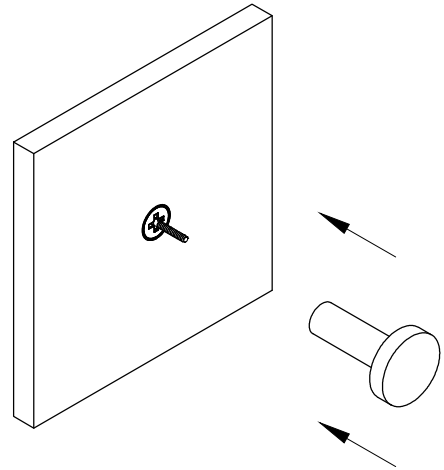
WEIGHT CAPACITY 20 lb MAX
WHEN MOUNTED INTO STUD OR DRYWALL



2



3



WOOD SCREW THREAD
X 8-32 THREAD

HK27-HNGR-DRIVE
(Optional) Not included.

4

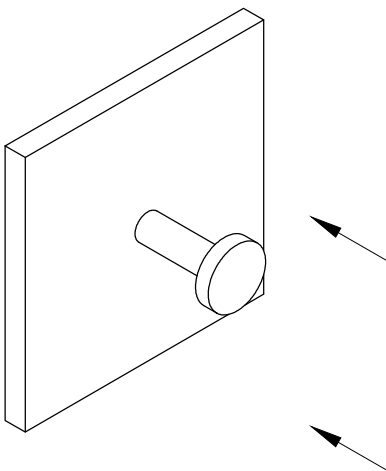





TABLE OF CONTENTS:

 1x HK27
 1x DRYWALL ANCHOR
 1x DOUBLE THREAD SCREW