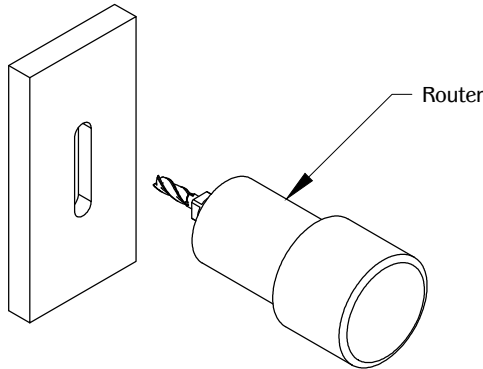
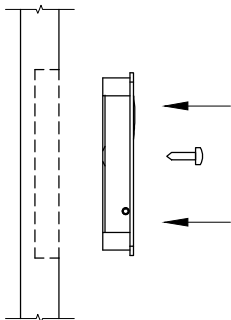
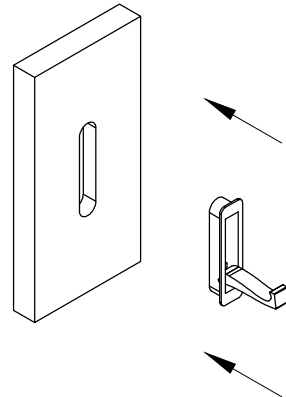


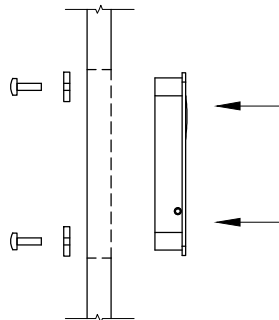
2



3



OPTION 1: Recommended mounting into stud, use provided screw



OPTION 2: Use screws and washer (optional, washer not included)

All dimensions have a +/- 1/32" tolerance unless otherwise specified. We do not recommend drilling or cutting before receiving a product or a product sample.

Recommended: Use router with a 16.00mm (5/8") dia. bit for a snug fit, up to 16.50mm (21/32") for a true fit, and route a 12.00mm (7/16") deep groove by 75.50mm (2-31/32) long from end to end, into the desired location.

Weight Capacity 20lbs

TABLE OF CONTENTS:



..... 1x HK25



... 1x 1/2" WOOD SCREW



..... 2x 1/2" SCREW