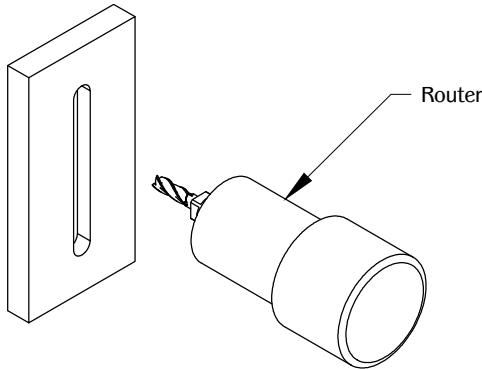
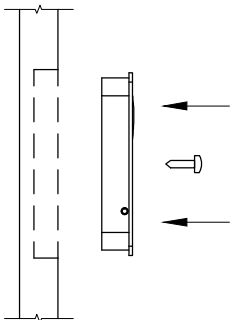
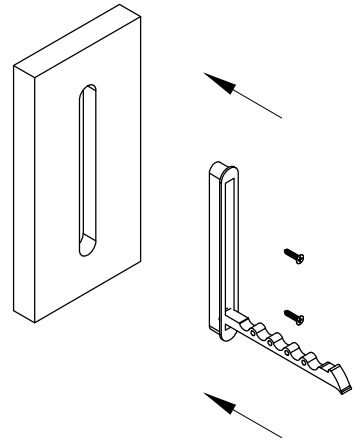


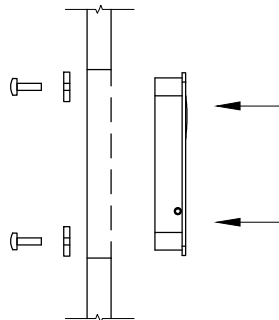
2



3



OPTION 1: Recommended mounting into stud, use provided screw



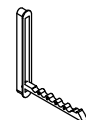


OPTION 2: Use screws and washer (optional, washer not included)

All dimensions have a +/- 1/32" tolerance unless otherwise specified. We do not recommend drilling or cutting before receiving a product or a product sample.

Recommended: Use router with a 12.00mm (7/16") dia. bit for a snug fit, up to 12.50mm (15/32") for a true fit, and route a 12.00mm (7/16") deep groove by 136.00mm (5-11/32") long from end to end, into the desired location.

Weight Capacity 20lbs

TABLE OF CONTENTS:

	..... 1x HK24
	... 2x 1/2" WOOD SCREW
	..... 2x 1/2" SCREW