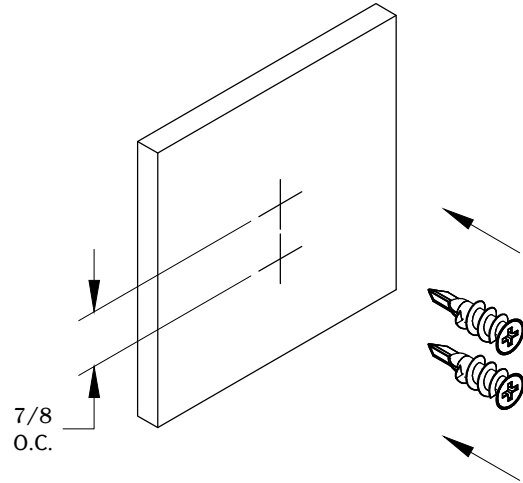
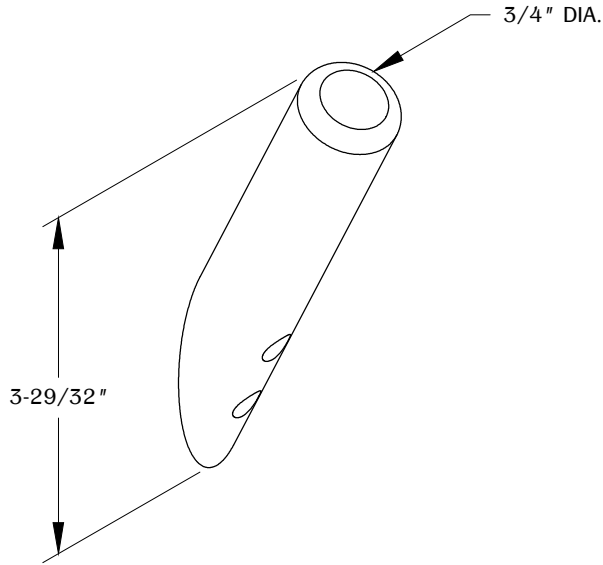
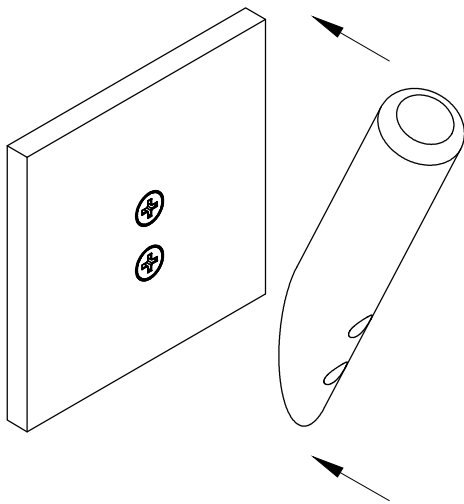


1



2



3

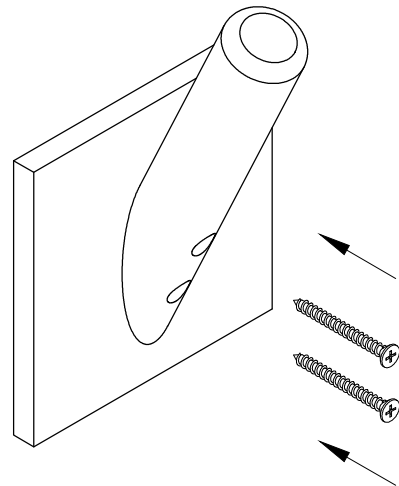
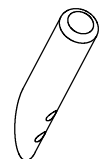




TABLE OF CONTENTS:

 1x HK22
 2x DRYWALL ANCHOR
 2x SCREW