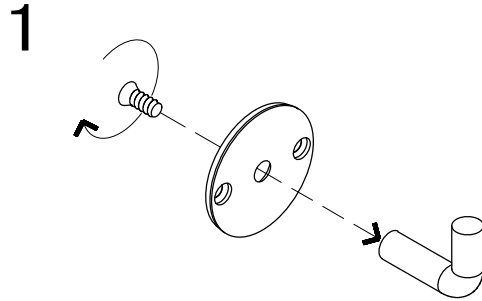
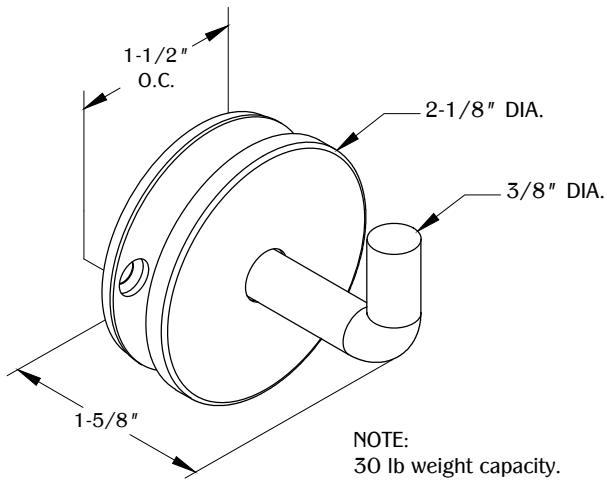


PART #

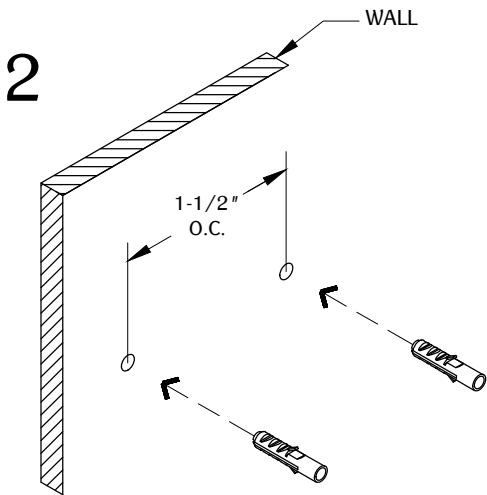
HK1

310.318.2491 • 800.523.1269 • www.mockett.com

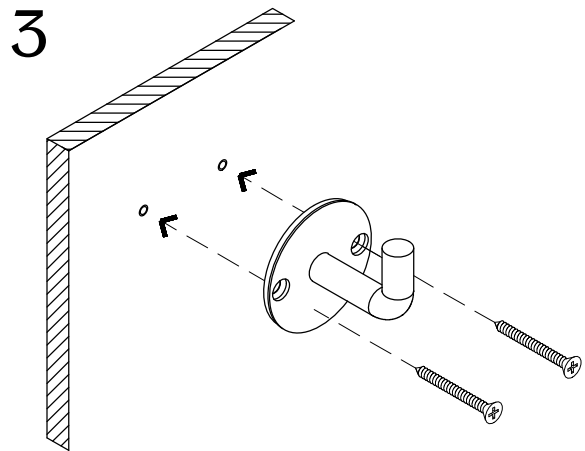
INSTALLATION INSTRUCTIONS



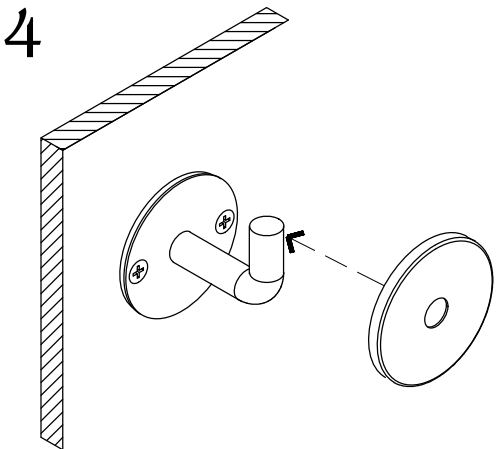
Assemble hook onto the backplate using a screwdriver.



Mark and drill hole using a 9/32" drill bit. Insert plastic anchors provided.









Mount backplate onto wall using the provided wood screws.



Slide cover through hook and press into place.

TABLE OF CONTENTS:

	1x BACKPLATE
	1x COVER
	1x HOOK
	2x PLASTIC ANCHOR
	2x WOOD SCREW
	1x HOOK SCREW