

Mark screw center at 1-1/4" from the edge of the table, mark second screw center at 2-1/2" from center to center

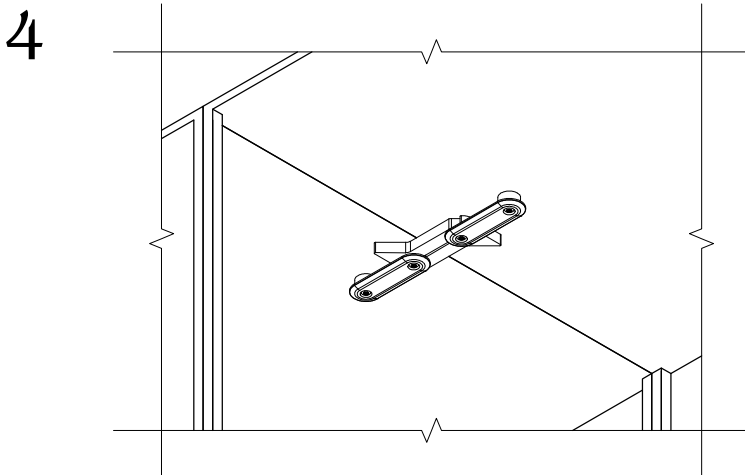
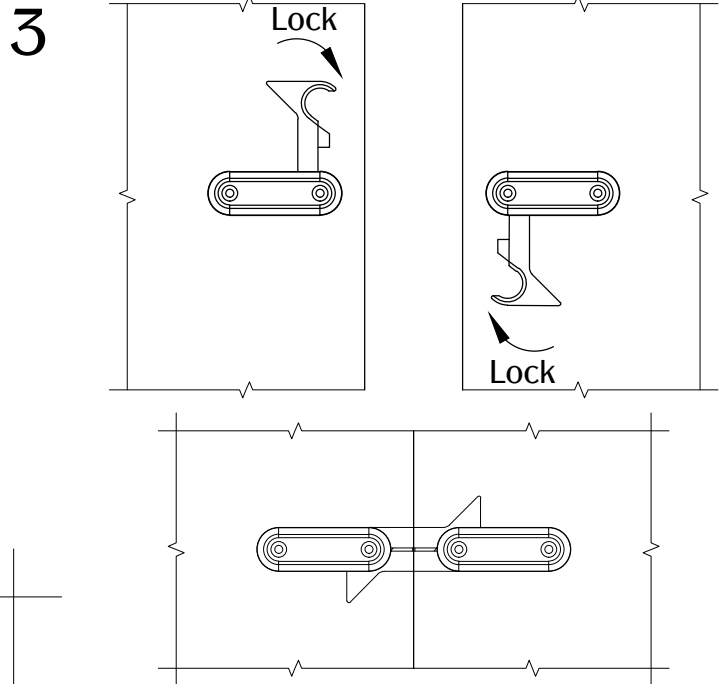
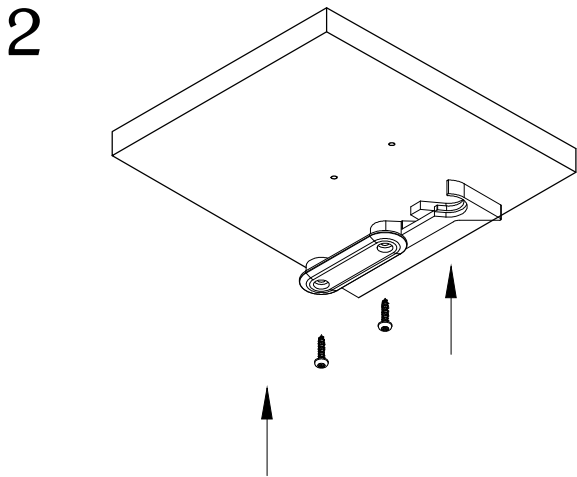
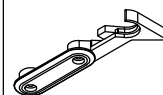


TABLE OF CONTENTS:



..... 2x GC2-SET



..... 4x 1-1/4" SCREWS