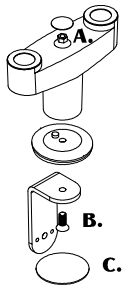
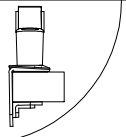
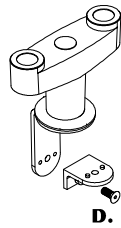


### DESK EDGE

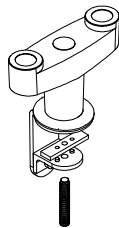
### THRU-DESK



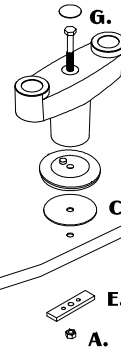
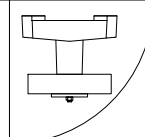
1



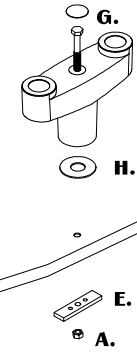
2



3

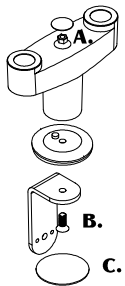
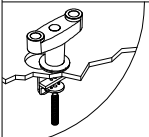


- OR -

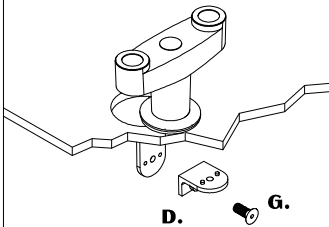


### GROMMET HOLE

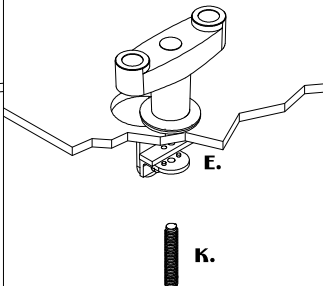
### SIDE BOLT



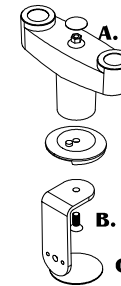
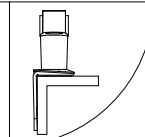
1



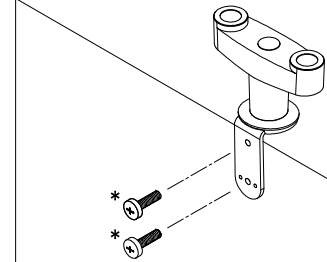
2



3

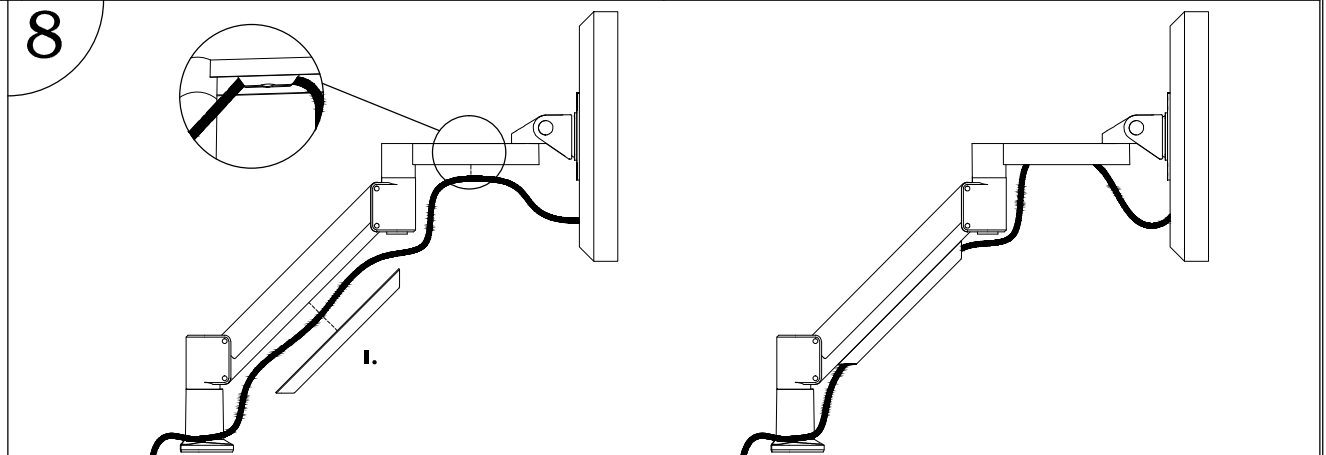
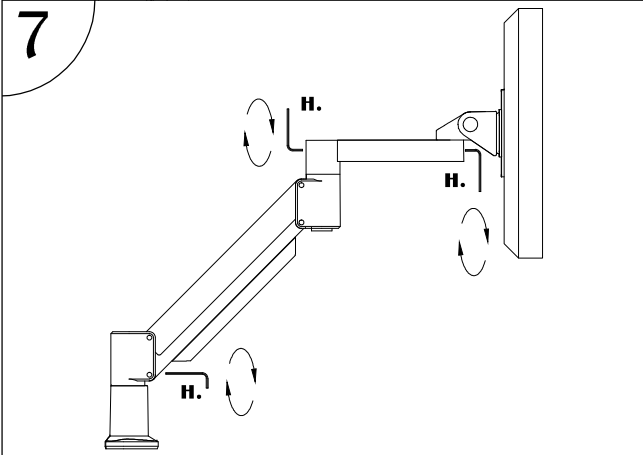
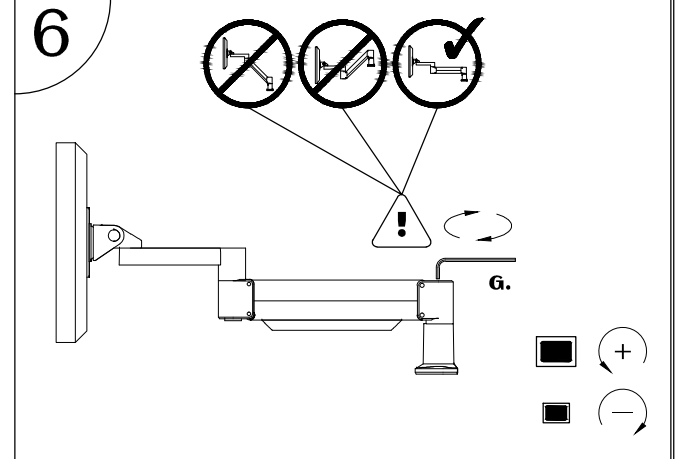
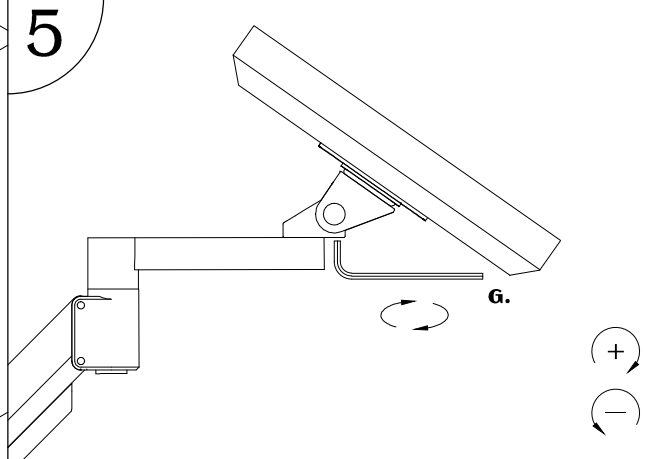
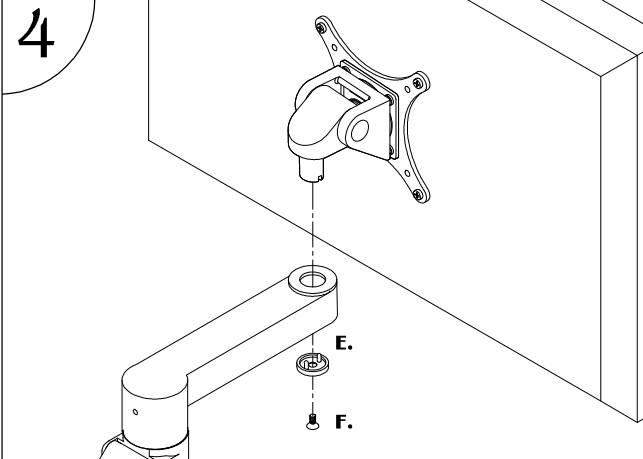
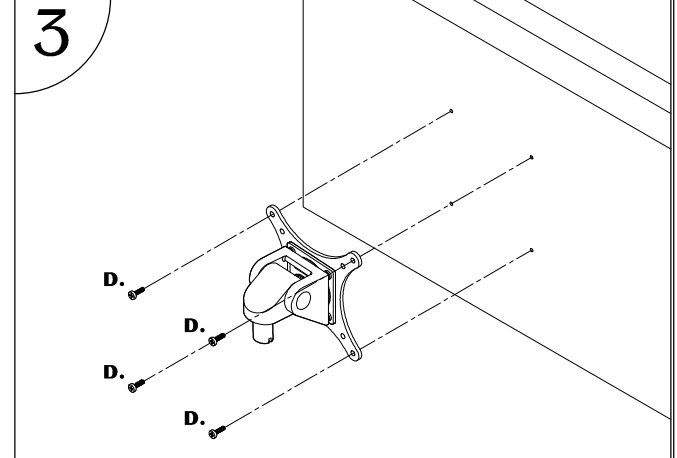
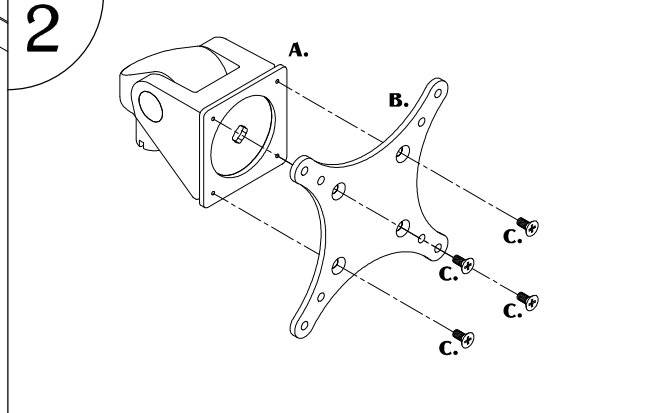
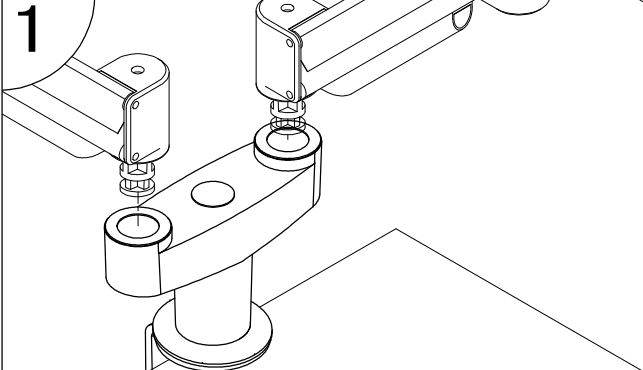


1

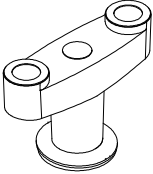
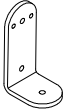

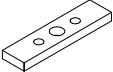








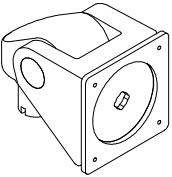






2

\* HARDWARE **NOT** INCLUDED



## TABLE OF CONTENTS.

<b>A.</b>		X 1 QTY.	Mount Column
<b>B.</b>		X 1 QTY.	Large "L" Bracket
<b>C.</b>		X 1 QTY.	Small "L" Bracket
<b>D.</b>		X 1 QTY.	Rectangular Spacer
<b>E.</b>		X 1 QTY.	3/8-16 X 1" (25.4 mm) Flat Socket Cap Screw
<b>F.</b>		X 1 QTY.	3/8-16 X 7/8" (22.225 mm) Flat Socket Cap Screw
<b>G.</b>		X 1 QTY.	3/8-16 Nylon Stop Nut
<b>H.</b>		X 1 QTY.	3/8-16 X 2-1/2" Hex Head Bolt
<b>I.</b>		X 1 QTY.	1/2-13 X 3" Socket Set Screw
<b>J.</b>		X 1 QTY.	7/32" (5.563 mm) Allen Wrench

<b>A.</b>		X 2 QTY.	Sloped Tilter
<b>B.</b>		X 2 QTY.	75mm and 100mm Starfish VESA Adapter Plate
<b>C.</b>		X 8 QTY.	10-32 x 3/8" (9.525 mm) Philips Flat Head Screw
<b>D.</b>		X 8 QTY.	M4-12 Philips Pan Head Screw
<b>E.</b>		X 2 QTY.	Dog Washer
<b>F.</b>		X 2 QTY.	10-32 x 3/8" (9.525 mm) Philips Flat Head Screw with Lock Patch
<b>G.</b>		X 1 QTY.	7/32" (5.563 mm) Allen Wrench
<b>H.</b>		X 1 QTY.	3/32" (2.388 mm) Allen Wrench
<b>I.</b>		X 2 QTY.	Cable Cap